



ROOM AIR CONDITIONERS FOR SLIDER AND CASEMENT WINDOWS

Use & Care Guide

For questions about features, operation/performance, parts, accessories or service call: **1-800-253-1301**.

In Canada, call for assistance **1-800-461-5681**, for installation and service, call: **1-800-807-6777**

or visit our website at... www.whirlpool.com
or... www.whirlpoolappliances.ca

ACONDICIONADORES DE AIRE PARA HABITACIÓN PARA VENTANAS CORREDIZAS O A BISAGRA

Manual de Uso y Cuidado

Si tiene preguntas respecto a las características, funcionamiento, rendimiento, partes, accesorios o servicio técnico, llame al: **1-800-253-1301**

o visite nuestro sitio web en... www.whirlpool.com

CLIMATISEURS DE PIÈCE POUR FENÊTRE COULISSANTE OU À BATTANTS

Guide d'utilisation et d'entretien

Au Canada, pour assistance composez le : **1-800-461-5681**, pour installation ou service, le : **1-800-807-6777**

ou visitez notre site web à... www.whirlpoolappliances.ca

Table of Contents/Índice/Table des matières 2

TABLE OF CONTENTS

AIR CONDITIONER SAFETY	3	Changing Air Direction	11
INSTALLATION REQUIREMENTS	3	Normal Sounds.....	11
Tools and Parts	3	AIR CONDITIONER CARE	12
Location Requirements	4	Cleaning the Air Filter	12
Electrical Requirements	4	Cleaning the Intake Grille	12
INSTALLATION INSTRUCTIONS	5	Paint Damage Repair	12
Unpack the Air Conditioner.....	5	TROUBLESHOOTING	13
Metal or Wood Sliding Window Installation.....	5	ASSISTANCE OR SERVICE	14
Metal or Wood Casement Window Installation	7	In the U.S.A.	14
Complete Installation	8	In Canada	14
AIR CONDITIONER USE	9	WARRANTY	15
Starting Your Air Conditioner	9		

ÍNDICE

SEGURIDAD DEL ACONDICIONADOR DE AIRE	16	Cómo poner en marcha su acondicionador de aire.....	23
REQUISITOS DE INSTALACIÓN	17	Cómo cambiar la dirección del aire	26
Herramientas y piezas.....	17	Sonidos normales.....	26
Requisitos de ubicación.....	17	CÓMO CUIDAR SU ACONDICIONADOR DE AIRE	26
Requisitos eléctricos	18	Limpieza del filtro de aire	26
INSTRUCCIONES DE INSTALACIÓN	19	Limpieza de la rejilla de entrada.....	26
Desempaque el acondicionador de aire.....	19	Reparación de la pintura dañada.....	26
Instalación en ventana corrediza de madera o metal.....	19	SOLUCIÓN DE PROBLEMAS	27
Instalación en ventana a bisagra de metal o madera.....	20	AYUDA O SERVICIO TÉCNICO	28
Complete la instalación.....	22	En los EE.UU.	28
CÓMO USAR SU ACONDICIONADOR DE AIRE	23	GARANTÍA	29

TABLE DES MATIÈRES

SÉCURITÉ DU CLIMATISEUR	30	Mise en marche du climatiseur	37
EXIGENCES D'INSTALLATION	31	Changement de direction de l'air.....	39
Outils et pièces.....	31	Sons normaux	40
Exigences d'emplacement.....	31	ENTRETIEN DU CLIMATISEUR	40
Spécifications électriques	32	Nettoyage du filtre à air	40
INSTRUCTIONS D'INSTALLATION	33	Nettoyage de la grille d'entrée d'air	40
Déballage du climatiseur.....	33	Remise en état de la peinture	40
Installation dans une fenêtre coulissante en métal ou en bois	33	DÉPANNAGE	41
Installation dans une fenêtre à battants en métal ou en bois.....	34	ASSISTANCE OU SERVICE	42
Pour compléter l'installation	36	Au Canada	42
UTILISATION DU CLIMATISEUR	37	GARANTIE	43

AIR CONDITIONER SAFETY

Your safety and the safety of others are very important.

We have provided many important safety messages in this manual and on your appliance. Always read and obey all safety messages.



This is the safety alert symbol.

This symbol alerts you to potential hazards that can kill or hurt you and others.

All safety messages will follow the safety alert symbol and either the word "DANGER" or "WARNING." These words mean:

DANGER

You can be killed or seriously injured if you don't immediately follow instructions.

WARNING

You can be killed or seriously injured if you don't follow instructions.

All safety messages will tell you what the potential hazard is, tell you how to reduce the chance of injury, and tell you what can happen if the instructions are not followed.

IMPORTANT SAFETY INSTRUCTIONS

WARNING: To reduce the risk of fire, electrical shock or injury when using your air conditioner, follow these basic precautions:

- Plug into a grounded 3 prong outlet.
- Do not use an extension cord.
- Do not remove ground prong.
- Unplug air conditioner before servicing.
- Do not use an adapter.
- Use two or more people to move and install air conditioner.

SAVE THESE INSTRUCTIONS

INSTALLATION REQUIREMENTS

Tools and Parts

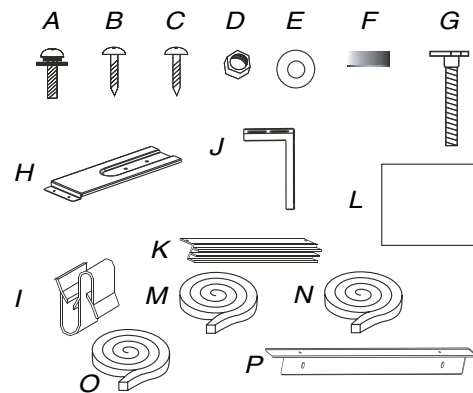
Gather the required tools and parts before starting installation. Read and follow the instructions provided with any tools listed here.

Tools needed

- Flat-blade and Phillips screwdrivers
- Pencil
- Tape measure
- Level
- Scissors
- Drill
- 1/8" drill bit

Parts supplied

Check that all parts are included in parts package.



- | | | |
|---------------------------------|---------------------|-----------------|
| A. 1" wood screws (2) | G. Leveling bolt | L. Filler panel |
| B. 3/8" self-tapping screws (4) | H. Support platform | M. Seals (2) |
| C. 7/16" machine screws (2) | I. Speed clips (2) | N. Foam (2) |
| D. 7/16" nuts (2) | J. Support angle | O. Shorter seal |
| E. 7/16" flat washers (2) | K. Sliders (2) | P. Top retainer |
| F. End cap | | |

Parts needed

- If metal casement window installation, a 3/4" (19 mm) wood filler panel will be needed for opening greater than 15 1/2" (39.4 cm) wide. See "Metal or Wood Casement Window Installation."
- If wood casement window installation, a 1" (2.5 cm) wood frame will be needed. See "Metal or Wood Casement Window Installation."

NOTE: The installation of this air conditioner is intended to be permanent. When installed in an apartment or rental property, permission to make modifications should be obtained from owner or landlord of building prior to installation of air conditioner.

Location Requirements

IMPORTANT: Observe all governing codes and ordinances. Check the location where the air conditioner will be installed. Proper installation is your responsibility. Make sure you have everything necessary for correct installation.

The location should provide:

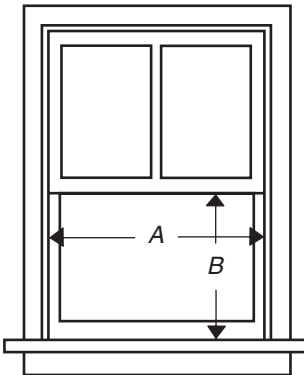
- A horizontal sliding or casement type window with a minimum width of 15 1/2" (39.4 cm).
- Grounded electrical outlet within 4 ft (122 cm) of where the power cord exits the air conditioner.
NOTE: Do not use an extension cord.
- Free movement of air in room to be cooled.
- Adequate window frame assembly and side of structure support for weight of air conditioner. Air conditioner weighs approximately 82 lbs (37.2 kg) to 100 lbs (45 kg).

NOTE: Do not install the air conditioner in an area where the front panel will be exposed to heat sources that will raise the panel surface temperature above 120°F (50°C).

Window Installation

Window opening measurements:

- 15 1/2" (39.4 cm) minimum opening width
- 22" (55.9 cm) minimum opening height



A. 15 1/2" (39.4 cm) minimum
B. 22" (55.9 cm) minimum

Electrical Requirements

⚠ WARNING



Electrical Shock Hazard

Plug into a grounded 3 prong outlet.

Do not remove ground prong.

Do not use an adapter.

Do not use an extension cord.

Failure to follow these instructions can result in death, fire, or electrical shock.

The electrical ratings for your air conditioner are listed on the model and serial number label. The model and serial number label is located on the right-hand side of the cabinet.

Specific electrical requirements are listed in the chart below. Follow the requirements for the type of plug on the power supply cord.

Power supply cord

Wiring requirements



- 115 volt (103.5 min. - 126.5 max.)
- 0-12 amps
- 15-amp time-delay fuse or circuit breaker
- Use on single outlet circuit only.

Recommended ground method

For your personal safety, this air conditioner must be grounded. This air conditioner is equipped with a power supply cord having a grounded 3 prong plug. To minimize possible shock hazard, the cord must be plugged into a mating, grounded 3 prong outlet, grounded in accordance with all local codes and ordinances. If a mating outlet is not available, it is the customer's responsibility to have a properly grounded 3 prong outlet installed by a qualified electrical installer.

It is the customer's responsibility:

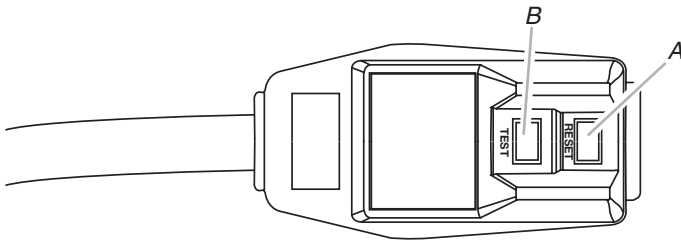
- To contact a qualified electrical installer.
- To assure that the electrical installation is adequate and in conformance with National Electrical Code, ANSI/NFPA 70 - latest edition, and all local codes and ordinances.

Copies of the standards listed may be obtained from:

National Fire Protection Association
One Batterymarch Park
Quincy, Massachusetts 02269

Power Supply Cord


NOTE: Your unit's device may differ from the one shown.



A. Reset button
B. Test button

This room air conditioner is equipped with a power supply cord required by UL. This power supply cord contains state-of-the-art electronics that sense leakage current. If the cord is crushed, the electronics detect leakage current and power will be disconnected in a fraction of a second.

⚠ WARNING



Electrical Shock Hazard

Plug into a grounded 3 prong outlet.

Do not remove ground prong.

Do not use an adapter.

Do not use an extension cord.

Failure to follow these instructions can result in death, fire, or electrical shock.

To test your power supply cord:

1. Plug power supply cord into a grounded 3 prong outlet.
2. Press RESET (on some devices, a green light will turn on).
3. Press TEST (listen for click; Reset button will trip, and on some devices, a green light will turn off).
4. Press and release RESET (listen for click; Reset button will latch, and on some devices, a green light will turn on). The power supply cord is ready for operation.

NOTES:

- The Reset button must be pushed in for proper operation.
- The power supply cord must be replaced if it fails to trip when the test button is pressed or fails to reset.
- Do not use the power supply cord as an off/on switch. The power supply cord is designed as a protective device.
- A damaged power supply cord must be replaced with a new power supply cord obtained from the product manufacturer and must not be repaired.
- The power supply cord contains no user serviceable parts. Opening the tamper-resistant case voids all warranty and performance claims.

INSTALLATION INSTRUCTIONS

Unpack the Air Conditioner

⚠ WARNING

Excessive Weight Hazard

Use two or more people to move and install air conditioner.

Failure to do so can result in back or other injury.

Remove packaging materials

- Remove and properly dispose of packaging materials. Remove tape and glue residue from surfaces before turning on the air conditioner. Rub a small amount of liquid dish soap over the adhesive with your fingers. Wipe with warm water and dry.

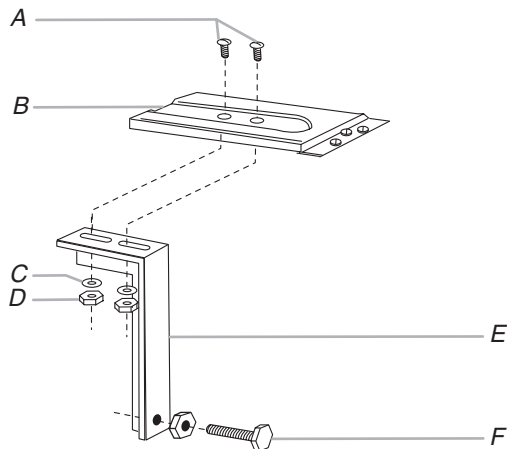
- Do not use sharp instruments, rubbing alcohol, flammable fluids, or abrasive cleaners to remove tape or glue. These products can damage the surface of your air conditioner.
- Handle air conditioner with care.

Metal or Wood Sliding Window Installation

- Handle air conditioner with care.
- Be sure your air conditioner does not fall out of the opening during installation or removal.
- Do not block the louvers on the front panel.
- Do not block air movement on the outside of the air conditioner.
- The window frame assembly and side of structure must be adequate to support weight of air conditioner.

Install support platform

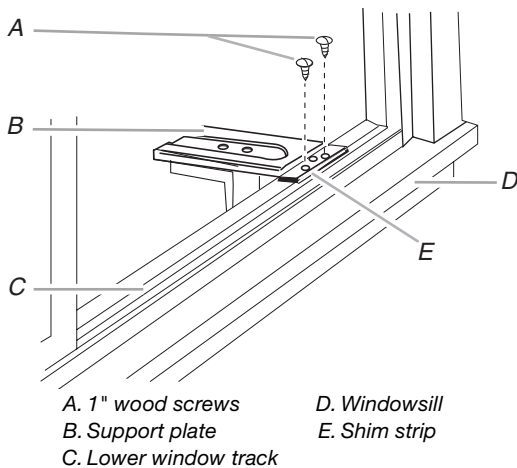
1. Slide open one window sash to install support platform.
2. Loosely attach support angle to bottom of support platform using two $\frac{7}{16}$ " machine screws, flat washers and nuts.



A. $\frac{7}{16}$ " machine screws D. Nut
 B. Support plate E. Support angle
 C. Flat washer F. Leveling bolt and locknut

3. Place support platform against lower window track and firmly against vertical edge of window frame.
4. Attach support platform to windowsill using two 1" wood screws.

If required, overcome interference of support platform with window track or storm windows by securely attaching a shim strip to the windowsill. Shim strip should be as long as width of support platform and flush with back edge of sill. Thickness of shim strip should be controlled by amount of interference.



A. 1" wood screws D. Windowsill
 B. Support plate E. Shim strip
 C. Lower window track

5. Pull support angle against outside of structure. Tighten two $\frac{7}{16}$ " machine screws on top of support platform.
6. Adjust leveling bolt to level support angle. Tighten leveling bolt locknut.

NOTE: Air conditioner must be level or tilted back slightly to facilitate proper condensate disposal.

7. Cut two pieces of seal to height of window opening. Remove backing and apply to window frame and sliding sash that will rest against air conditioner cabinet.

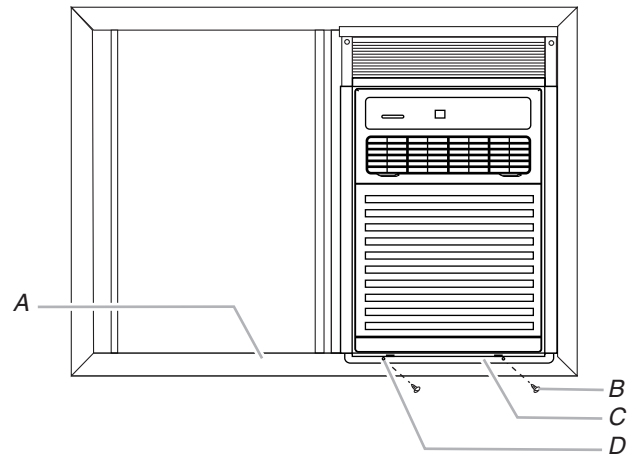
Install air conditioner in window

1. Slide air conditioner onto support platform. Check to be sure air conditioner side channel fits securely against vertical edge of window frame.

NOTE: If air conditioner side channel does not fit securely against window frame, remove air conditioner and readjust leveling bolt.

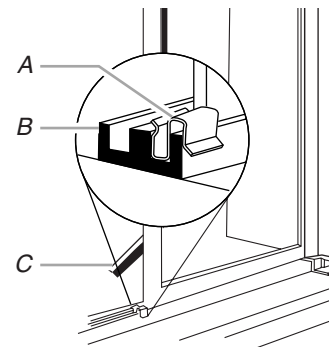
2. Drill two $\frac{1}{8}$ " holes through the window channel frame in alignment with existing holes in bottom bracket. Install two $\frac{3}{8}$ " self-tapping screws through these holes.

NOTE: If window channel frame is not tall enough to use existing holes, drill two new holes off to the side of the existing holes to attach the air conditioner bottom bracket to the support platform. Air conditioner should be firmly anchored to window channel frame or support platform.



A. Window channel frame C. Bottom bracket
 B. $\frac{3}{8}$ " self-tapping screw D. $\frac{1}{8}$ " drilled hole

3. Slide inside window sash closed. Check to be sure vertical edge of inside window sash is pressed firmly against side of air conditioner cabinet. Cut remaining seal to width of window opening. Remove backing and apply to top inside edge of window frame.
4. Install speed clips on top and bottom inside edge of window to provide locking.
5. Using supplied plastic seal, cut to proper length, insert between inside window sash and outside window.



A. Speed clip
 B. Window channel
 C. Plastic seal

6. See "Complete Installation."

Metal or Wood Casement Window Installation

- Handle air conditioner with care.
- Be sure your air conditioner does not fall out of the opening during installation or removal.
- Do not block the louvers on the front panel.
- Do not block air movement on the outside of the air conditioner.
- The window frame assembly and side of structure must be adequate to support weight of air conditioner.

Metal Casement Window Installation

This air conditioner is designed to fit into most casement-type windows. As shipped from factory, air conditioner will fit into a minimum window opening $15\frac{1}{2}$ " (39.4 cm) wide and 22" (55.9 cm) high. The preferred method of installation is through a closed or stationary window. Installation in an open window frame is also possible where open window can be secured to outside of building or removed completely.

Closed or stationary window

Install air conditioner in stationary sash to avoid crank handles or window latches. If air conditioner is to be installed in or next to a movable sash, it may be necessary to remove catch, handle or both.

- Remove crank handle and secure window in closed position. Remove glass panes and separating strips to a height sufficient to mount air conditioner.

Open window frame

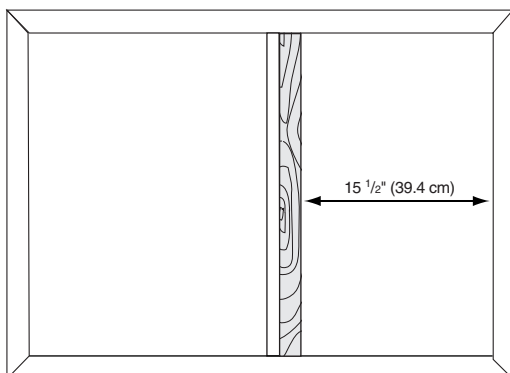
1. Remove crank mechanism and catch handles.
2. Fold window sash back against exterior wall of building and secure, or remove completely where possible.

Wood Casement Window Installation

1. Construct a frame, using at least 1" (2.5 cm) thick wood panel with a $15\frac{1}{2}$ " (39.4 cm) wide opening.
2. Paint frame and fasten it securely, sealing it into window opening.

If window opening width is greater than $15\frac{1}{2}$ " (39.4 cm):

1. Measure from side of window opening $15\frac{1}{2}$ " (39.4 cm). From this point, measure to opposite side of window opening to find width of filler panel. Measure height of window. Cut a $\frac{3}{4}$ " (19 mm) thick wood filler panel this width and the full height of the window opening.
2. Attach securely to side of opening.

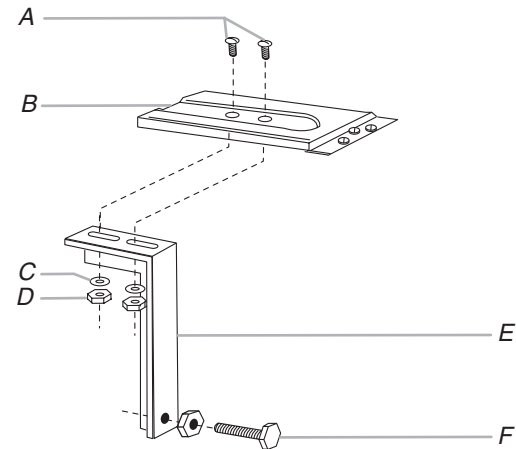


$15\frac{1}{2}$ " (39.4 cm) from side of window to wood filler panel

3. Paint desired color.

Install Support Platform

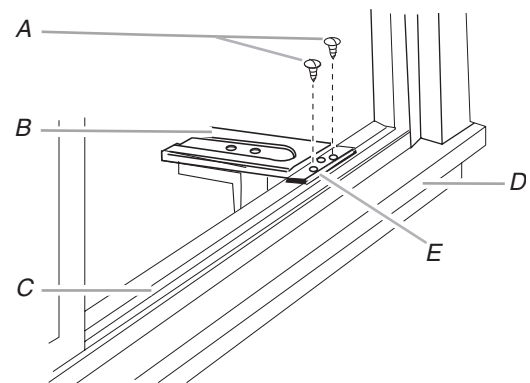
1. Loosely attach support angle to bottom of support platform using two $\frac{7}{16}$ " machine screws, flat washers and nuts.



- | | |
|------------------------------------|------------------------------|
| A. $\frac{7}{16}$ " machine screws | D. Nut |
| B. Support platform | E. Support angle |
| C. Flat washer | F. Leveling bolt and locknut |

2. Place support platform against lower window track and firmly against vertical edge of window frame.
3. Attach support platform to windowsill using two 1" wood screws.

If required, overcome interference of support platform with window track or storm windows by securely attaching a shim strip to the windowsill. Shim strip should be as long as width of support platform and flush with back edge of sill. Thickness of shim strip should be controlled by amount of interference.



- | | |
|-----------------------|---------------|
| A. 1" wood screws | D. Windowsill |
| B. Support platform | E. Shim strip |
| C. Lower window track | |

4. Pull support angle against outside of structure. Tighten two $\frac{7}{16}$ " machine screws on top of support platform.
5. Adjust leveling bolt to position support angle in a level plane. This will allow for proper angle. Tighten leveling bolt nut.

NOTE: Air conditioner must be level or tilted back slightly to facilitate proper condensate disposal.

6. Cut two pieces of seal to height of window opening. Remove backing and apply to window frame on both sides.

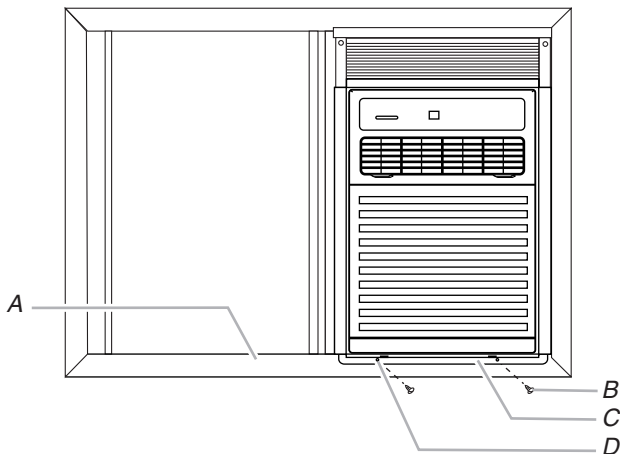
Install air conditioner in window

1. Slide air conditioner onto support platform. Check to be sure air conditioner side channel fits securely against vertical edge of window frame.

NOTE: If air conditioner side channel does not fit securely against window frame, remove air conditioner and readjust leveling bolt.

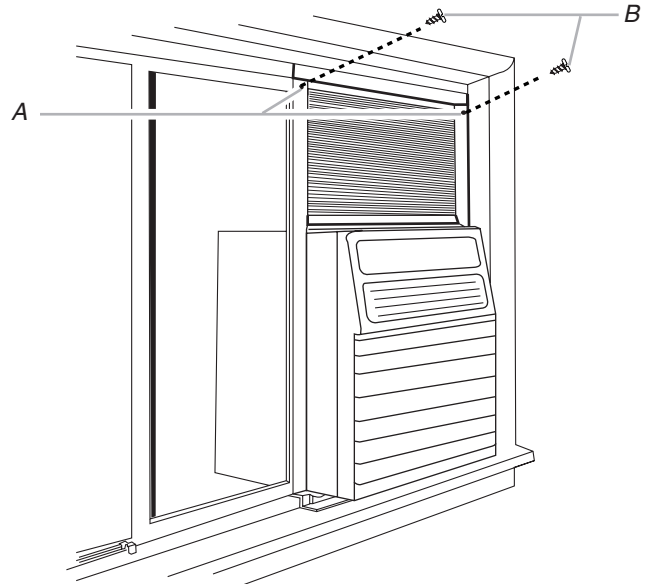
2. Drill two 1/8" holes through the window channel frame in alignment with existing holes in bottom bar. Install two 3/8" self-tapping screws through these holes.

NOTE: If window channel frame is not tall enough to use existing holes, drill two new holes off to the side of the existing holes to attach the air conditioner bottom bar to the support platform. Air conditioner should be firmly anchored to window channel frame or support platform.



A. Window channel frame
B. 3/8" self-tapping screw
C. Bottom bracket
D. 1/8" drilled holes

2. With sliders up against top retainer, drill 1/8" hole through window frame in alignment with existing hole in slider. Install 3/8" self-tapping screw in hole. Repeat for other slider.

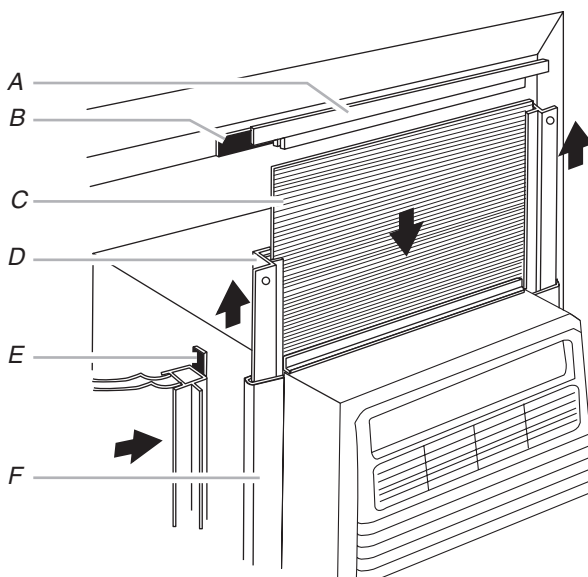


A. 1/8" drilled hole
B. 3/8" self-tapping screw

3. Check all seals and plug all air leaks around air conditioner. Use sealant to fill any minor openings.

Complete Installation

1. Place top retainer on top edge of filler panel, then place the bottom edge of filler panel into groove of bottom retainer (mounted on air conditioner). Filler panel may be trimmed with knife or scissors to fit window height. Slide sliders upward making sure filler panel aligns in sliders.



A. Top retainer
B. Seal under top retainer
C. Filler board
D. Slider
E. Seal between side of cabinet and sliding sash (sliding window installation only)
F. Side channel

⚠ WARNING

Electrical Shock Hazard

Plug into a grounded 3 prong outlet.

Do not remove ground prong.

Do not use an adapter.

Do not use an extension cord.

Failure to follow these instructions can result in death, fire, or electrical shock.

4. Plug into a grounded 3 prong outlet.
5. Press RESET on the power supply cord plug.

AIR CONDITIONER USE

Operating your air conditioner properly helps you to obtain the best possible results.

This section explains proper air conditioner operation.

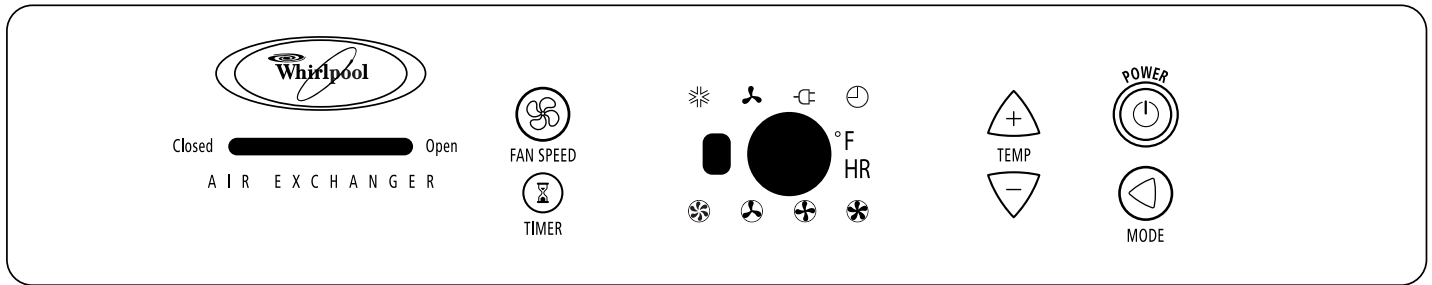
IMPORTANT:

- If you turn off the air conditioner, wait at least 3 minutes before turning it back on. This prevents the air conditioner from blowing a fuse or tripping a circuit breaker.
- Do not try to operate your air conditioner in the cooling mode when outside temperature is below 66°F (19°C). The inside evaporator coil will freeze up, and the air conditioner will not operate properly.

NOTES:

- In the event of a power failure, your air conditioner will automatically turn back on.
- If the electronic control will not respond to touch pad or remote control commands, it is necessary to unplug the air conditioner from the electrical outlet for 5 seconds before plugging back in.

Starting Your Air Conditioner



NOTE: If the room temperature is below 55°F (13°C), the display will show 55°F (13°C). If the room temperature is above 99°F (37°C), the display will show 99°F (37°C).

1. Remove clear protective film from control panel and front panel badge.
2. Set air exchanger. See “Air Exchanger.”
3. Press POWER to turn on air conditioner.



NOTE: When air conditioner is turned on for the first time after it is plugged in, it will display the default settings: Cool mode, Turbo fan speed, 72°F (22°C) for 3 seconds. When it is turned on at all other times, it will display the previous settings for 3 seconds, and then display the room temperature.

4. Choose mode. See “Mode.”
5. Choose fan speed. See “Fan Speed.”
6. Choose temperature. See “Temperature.”

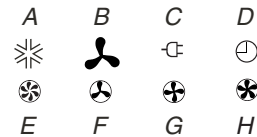
Air Exchanger

Set the Air Exchanger control to CLOSED for maximum continuous cooling. The Air Exchanger set to OPEN circulates fresh air and draws stale or smoky air from the room.

- Open—to exhaust room air to the outside
- Closed—maximum air circulation and cooling



Display Symbols



- | | |
|----------------------------------|-----------------------------------|
| A. Cool mode indicator light | E. Auto fan mode indicator light |
| B. Fan only mode indicator light | F. Low fan mode indicator light |
| C. Power Saver indicator light | G. High fan mode indicator light |
| D. Timer indicator light | H. Turbo fan mode indicator light |

Mode

1. Press MODE until you see the indicator light come on for the setting you desire.
2. Choose Cool, Fan Only or Power Saver.
 - Cool—Cools room. Press FAN SPEED to choose fan speed. Then adjust the temperature by pressing the plus or minus buttons.
 - Fan Only—Only the fan runs. You can select the fan speed by pressing FAN SPEED, but you cannot adjust the Temperature control setting. Display shows the current room temperature.
 - Power Saver—Fan runs only when cooling is needed. You can select the fan speed by pressing FAN SPEED. Because the fan does not circulate the room air continuously, less energy is used, but the room air is not circulated as often. Use Power Saver when you are asleep or away from home.



MODE



Fan Speed

1. Press FAN SPEED until you see the indicator light come on for the setting you desire.
2. Choose Auto, Low, High or Turbo.

When Auto is selected, the fan speed will change automatically as the temperature in the room changes.

- 7° or more above the set temperature will use Turbo.
- 4° - 7° above the set temperature will use High.
- 4° or below the set temperature will use Low.



Temperature

Press the TEMP plus pad. Display on air conditioner shows the Temperature control setting. Each time you press or hold the plus button, the temperature will increase 1° until it reaches 88°F (31°C).



Press the TEMP minus pad. Display on air conditioner shows the Temperature control setting. Each time you press or hold the plus button, the temperature will increase 1° until it reaches 66°F (19°C).

To change the temperature display from °F to °C

Press both pads at once to switch the display from °F to °C.

Timer Delay

To set the Timer for a 1- to 24-hour delay until the air conditioner turns on (the air conditioner must be Off):

1. Press TIMER. Timer indicator light will remain on.



2. Press the plus or minus button to change the delay time from 1 to 24 hours.
3. To turn Timer off, press TIMER again, or press POWER to turn off the air conditioner.

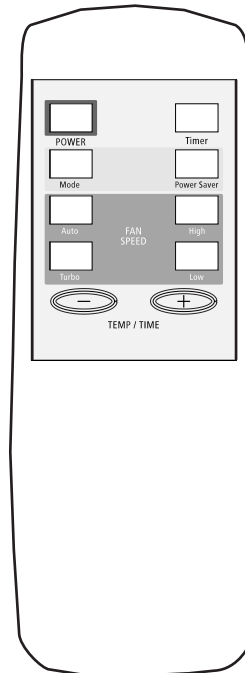
NOTE: The display will show time remaining until air conditioner turns on.

To set the Timer delay for a 1- to 24-hour delay until the air conditioner turns off (air conditioner must be On):

1. Press TIMER. Timer indicator light will remain on.
2. Press the plus or minus button to change the delay time from 1 to 24 hours. The display will automatically go back to the set temperature after 12 seconds.
3. To display the amount of time left, depress TIMER once.
4. To turn Timer off, press TIMER again within 12 seconds.

To Operate Air Conditioner with Remote Control

NOTE: Remote control may vary in appearance.



NOTE: Two AA batteries (included) power the remote control. Replace batteries after 6 months of use, or when the remote control starts to lose power.

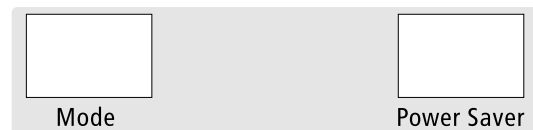
To turn the air conditioner on or off:

Press POWER.



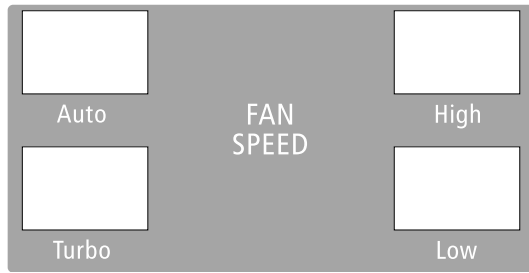
To select the mode or Power Saver:

1. Press MODE to choose Cool or Fan Only.
2. Press POWER SAVER to choose Power Saver mode.
 - Cool, Fan Only or Power Saver—you can adjust the fan speed.



To select the fan speed (in Cool, Fan Only or Power Saver mode only):

Press AUTO, TURBO, HIGH or LOW.



To raise the temperature:

Press the plus button. Display on air conditioner shows the Temperature control setting. Each time you press or hold the plus button, the temperature will increase 1° until it reaches 88°F (31°C).



To lower the temperature:

Press the minus button. Display on air conditioner shows the Temperature control setting. Each time you press or hold the minus button, the temperature will decrease 1° until it reaches 66°F (19°C).



To set Timer for a 1- to 24-hour delay before air conditioner turns on (air conditioner must be Off):

1. Press TIMER. Timer indicator light on air conditioner will flash. Display on air conditioner will show remaining hours before air conditioner will turn off.



2. Press the plus or minus button to change delay time (1 to 24 hours).
3. Press TIMER again or wait 10 seconds. Timer indicator light on air conditioner will remain on. Display on air conditioner will show the current room temperature.

To set Timer to turn on air conditioner, keeping previous settings:

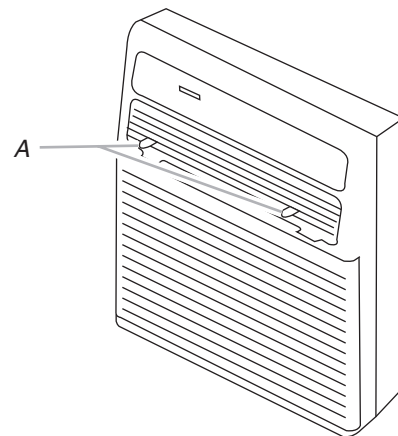
1. Turn off air conditioner.
2. Press TIMER. Timer indicator light on air conditioner will flash. Display on air conditioner will show remaining hours before air conditioner will turn off.
3. Press the plus or minus button to change delay time (1 to 24 hours).
4. Press TIMER again or wait 10 seconds. Timer indicator light on air conditioner will remain on. Display on air conditioner will show the current room temperature.

To set Timer to turn on air conditioner, changing the previous settings:

1. Turn on air conditioner.
2. Adjust Mode to Cool, Fan Only, or press POWER SAVER.
3. Adjust Fan Speed to Auto, Turbo, High or Low.
4. Adjust temperature between 66°F (19°C) and 88°F (31°C).
5. Wait 3 seconds before turning off air conditioner.
6. Press TIMER. Timer indicator light on air conditioner will flash. Display on air conditioner will show remaining hours before air conditioner will turn on.
7. Press the plus or minus button to change delay time (1 to 24 hours).
8. Press TIMER again or wait 10 seconds. Timer indicator light on air conditioner will remain on. Display on air conditioner will show current room temperature.

Changing Air Direction

Use levers to adjust louvers for desired airflow.



A. Levers

Normal Sounds

When your air conditioner is operating normally, you may hear sounds such as:

- Droplets of water hitting the condenser, causing a pinging or clicking sound. The water droplets help cool the condenser.
- Air movement from the fan.
- Clicks from the thermostat cycle.
- Vibrations or noise due to poor wall or window construction.
- A high-pitched hum or pulsating noise caused by the modern high-efficiency compressor cycling on and off.

AIR CONDITIONER CARE

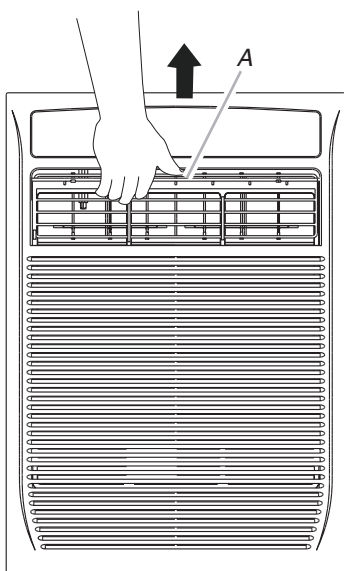
Your new air conditioner is designed to give you many years of dependable service. This section tells you how to clean and care for your air conditioner properly. Call your local authorized dealer for an annual checkup. Remember... the cost of this service call is your responsibility.

Cleaning the Air Filter

The air filter is removable for easy cleaning. A clean filter helps remove dust, lint, and other particles from the air and is important for best cooling and operating efficiency. Check the filter weekly to see whether it needs cleaning.

NOTE: Do not operate the air conditioner without the filter in place.

1. Turn off air conditioner.
2. Remove air filter by pulling up and out.



A. Air filter handle

3. Wash air filter with a mild detergent and warm water. Rinse with clear water, squeeze dry and replace.
 4. Replace air filter.
-

Cleaning the Intake Grille

1. Unplug air conditioner or disconnect power.
 2. Remove front cover by removing two side screws.
 3. Clean intake grille with a soft, damp cloth.
 4. Air dry intake grille completely.
 5. Replace front cover on air conditioner and secure with two side screws.
 6. Plug in air conditioner or reconnect power.
-

Paint Damage Repair

Check once or twice a year for paint damage. This is very important, especially in areas near oceans or where rust is a problem. If needed, touch up with a good grade enamel paint.

TROUBLESHOOTING

You can solve many common air conditioner problems easily, saving you the cost of a service call. Try the suggestions below to see whether you can solve your problem without outside help.

Air conditioner will not operate

- **The power supply cord is unplugged.** Plug into grounded 3 prong outlet. See “Electrical Requirements.”
- **The power supply cord has tripped (Reset button has popped out).** Press and release RESET (listen for click; Reset button will latch and remain in) to resume operation.
- **A household fuse has blown, or a circuit breaker has tripped.** Replace the fuse or reset the circuit breaker. See “Electrical Requirements.”
- **The Power button has not been pressed.** Press POWER.
- **The local power has failed.** Wait for power to be restored.

Air conditioner blows fuses or trips circuit breakers

- **Too many appliances are being used on the same circuit.** Unplug or relocate appliances that share the same circuit.
- **Time-delay fuse or circuit breaker of the wrong capacity is being used.** Replace with a time-delay fuse or circuit breaker of the correct capacity. See “Electrical Requirements.”
- **An extension cord is being used.** Do not use an extension cord with this or any other appliance.
- **You are trying to restart the air conditioner too soon after turning off the unit.** Wait at least 3 minutes after turning off the unit before trying to restart the air conditioner.

Air conditioner power supply cord trips (Reset button pops out)

- **Disturbances in your electrical current can trip (Reset button will pop out) the power supply cord.** Press and release RESET (listen for click; Reset button will latch and remain in) to resume operation.
- **An electrical overloading, overheating, pinching or aging can trip (Reset button will pop out) the power supply cord.** After correcting the problem, press and release RESET (listen for click; Reset button will latch and remain in) to resume operation.

NOTE: A damaged power supply cord must be replaced with a new power supply cord obtained from the product manufacturer and must not be repaired.

Air conditioner seems to run too much

- **The current air conditioner replaced an older model.** The use of more efficient components may cause the air conditioner to run longer than an older model, but the total energy consumption will be less. Newer air conditioners do not emit the “blast” of cold air you may be accustomed to from older units, but this is not an indication of lesser cooling capacity or efficiency. Refer to the efficiency rating (EER) and capacity rating (in BTU/hr.) marked on the air conditioner.

- **The air conditioner is in a heavily occupied room, or heat-producing appliances are in use in the room.** Use exhaust vent fans while cooking or bathing and try not to use heat-producing appliances during the hottest part of the day. A higher capacity air conditioner may be required, depending on the size of the room being cooled.

Air conditioner cycles on and off too much or does not cool

- **The Mode is set to Power Saver.** Use Power Saver only when you are asleep or away from home. Use Cool and a higher fan setting for your best comfort.
- **The air conditioner is not properly sized for your room.** Check the cooling capabilities of your room air conditioner. Room air conditioners are not designed to cool multiple rooms.
- **The filter is dirty or is obstructed by debris.** Clean the filter.
- **There is excessive heat or moisture (open container cooking, showers, etc.) in the room.** Use a fan to exhaust heat or moisture from the room. Try not to use heat-producing appliances during the hottest part of the day.
- **The louvers are blocked.** Install the air conditioner in a location where the louvers are free from curtains, blinds, furniture, etc.
- **The outside temperature is below 66°F (19°C).** Do not try to operate your air conditioner in the cooling mode when the outside temperature is below 66°F (19°C).
- **The temperature of the room you are trying to cool is extremely hot.** Allow extra time for the air conditioner to cool off a very hot room.
- **Windows or doors to the outside are open.** Close all windows and doors.
- **The Air Exchanger is set to OPEN (on some models).** Set the Exhaust control to CLOSED for maximum cooling and/or heating.
- **Temperature control is not at a cool enough setting.** Adjust the Temperature control to a cooler setting. Press the TEMP minus pad to reduce the temperature by 1° until it reaches 66°F (19°C). Set the Fan Speed control to Turbo.

Water drips from cabinet into your house

- **The air conditioner is not properly leveled.** The air conditioner should slope slightly downward toward the outside. Level the air conditioner to provide a downward slope toward the outside to ensure proper drainage. See the Installation Instructions.

NOTE: Do not drill a hole in the bottom of the metal base and condensate pan.

Air conditioner is cooling, but room is too warm—Ice forming on cooling coil behind intake grille

- **The outside temperature is below 66°F (19°C).** Do not try to operate your air conditioner in the cooling mode when the outside temperature is below 66°F (19°C).
- **The filter is dirty or is obstructed by debris.** Clean the filter.

ASSISTANCE OR SERVICE

Before calling for assistance or service, please check "Troubleshooting." It may save you the cost of a service call. If you still need help, follow the instructions below.

When calling, please know the purchase date and the complete model and serial number of your appliance. This information will help us to better respond to your request.

If you need replacement parts

If you need to order replacement parts, we recommend that you use only FSP® replacement parts. FSP® replacement parts will fit right and work right because they are made with the same precision used to build every new WHIRLPOOL® appliance.

To locate FSP® replacement parts in your area, call us or your nearest Whirlpool designated service center.

In the U.S.A.

Call the Whirlpool Customer eXperience Center toll free: **1-800-253-1301**.

Our consultants provide assistance with:

- Features and specifications on our full line of appliances.
- Installation information.
- Use and maintenance procedures.
- Accessory and repair parts sales.
- Specialized customer assistance (Spanish speaking, hearing impaired, limited vision, etc.).
- Referrals to local dealers, repair parts distributors, and service companies. Whirlpool designated service technicians are trained to fulfill the product warranty and provide after-warranty service, anywhere in the United States.

To locate the Whirlpool designated service company in your area, you can also look in your telephone directory Yellow Pages.

For further assistance

If you need further assistance, you can write to Whirlpool Corporation with any questions or concerns at:

Whirlpool Brand Home Appliances
Customer eXperience Center
553 Benson Road
Benton Harbor, MI 49022-2692

Please include a daytime phone number in your correspondence.

In Canada

For product related questions, please call the Whirlpool Canada LP Customer Interaction Centre toll free:

1-800-461-5681

Monday to Friday 8:00 a.m. - 6:00 p.m. (EST).

Saturday 8:30 a.m. - 4:30 p.m. (EST).

Our consultants provide assistance with:

- Features and specifications on our full line of appliances.
- Referrals to local dealers.

For parts, accessories and service in Canada

Call **1-800-807-6777**. Whirlpool Canada LP designated service technicians are trained to fulfill the product warranty and provide after-warranty service, anywhere in Canada.

For further assistance

If you need further assistance, you can write to Whirlpool Canada LP with any questions or concerns at:

Customer Interaction Centre
Whirlpool Canada LP
1901 Minnesota Court
Mississauga, Ontario L5N 3A7

Please include a daytime phone number in your correspondence.

WHIRLPOOL® AIR CONDITIONER WARRANTY

ONE YEAR FULL WARRANTY

For one year from the date of purchase, if this air conditioner fails when operated and maintained according to instructions attached to or furnished with the product, Whirlpool Corporation or Whirlpool Canada LP will pay for replacement parts and repair labor costs to correct defects in materials or workmanship. Service must be provided by a Whirlpool designated service company.

SECOND THROUGH FIFTH YEAR FULL WARRANTY ON SEALED REFRIGERATION SYSTEM

In the second through fifth years from date of purchase, when this air conditioner is operated and maintained according to instructions attached to or furnished with the product, Whirlpool Corporation or Whirlpool Canada LP will pay for replacement parts and repair labor costs to correct defects in materials or workmanship in the sealed refrigeration system, including the compressor, evaporator, condenser, dryer-strainer and connecting tubing. Service must be provided by a Whirlpool designated service company.

Whirlpool Corporation or Whirlpool Canada LP will not pay for:

1. Service calls to correct the installation of your air conditioner, instruct you on how to use your air conditioner, to replace house fuses or correct house wiring or reset circuit breakers, or to clean or replace owner accessible air filters.
 2. Repairs when your air conditioner is used in other than normal, single-family household use.
 3. Damage resulting from accident, alteration, misuse, abuse, fire, floods, acts of God, improper installation not in accordance with local electrical and plumbing codes, or use of products not approved by Whirlpool Corporation or Whirlpool Canada LP.
 4. Replacement parts or repair labor costs for units operated outside the United States or Canada.
 5. Pickup and delivery. Your air conditioner is designed to be repaired in the home.
 6. The removal and reinstallation of your air conditioner if it is installed in an overhead or other inaccessible location or is not installed in accordance with published installation instructions.
 7. Repairs to parts or systems resulting from unauthorized modifications made to the appliance.
 8. In Canada, travel or transportation expenses for customers who reside in remote areas.
-

WHIRLPOOL CORPORATION OR WHIRLPOOL CANADA LP SHALL NOT BE LIABLE FOR INCIDENTAL OR CONSEQUENTIAL DAMAGES.

Some states and provinces do not allow the exclusion or limitation of incidental or consequential damages, so this exclusion or limitation may not apply to you. This warranty gives you specific legal rights and you may also have other rights which vary from state to state and province to province.

Outside the 50 United States or Canada, this warranty does not apply. Contact your authorized Whirlpool dealer to determine if another warranty applies.

If you need service, first see "Troubleshooting." Additional help can be found by checking "Assistance or Service," or by calling our Customer eXperience Center at **1-800-253-1301**, from anywhere in the U.S.A. or write: Whirlpool Corporation, Customer eXperience Center, 553 Benson Road, Benton Harbor, MI 49022-2692. In Canada, call **1-800-807-6777**.

For service in Canada, call **1-800-807-6777**. Whirlpool Canada LP designated service technicians are trained to fulfill the product warranty and provide after-warranty service, anywhere in Canada. If you need further assistance, you can write to Whirlpool Canada LP with any questions or concerns at: Customer Interaction Centre, Whirlpool Canada LP, 1901 Minnesota Court, Mississauga, Ontario L5N 3A7. Please include a daytime phone number in your correspondence.

11/04

Keep this warranty and your sales slip together for future reference. You must provide proof of purchase or installation date for in-warranty service.

Write down the following information about your air conditioner to better help you obtain assistance or service if you ever need it. You will need to know your complete model number and serial number.

Dealer name _____

Address _____

Phone number _____

Model number _____

Serial number _____

Purchase date _____

SEGURIDAD DEL ACONDICIONADOR DE AIRE

Su seguridad y la seguridad de los demás es muy importante.

Hemos incluido muchos mensajes importantes de seguridad en este manual y en su electrodoméstico. Lea y obedezca siempre todos los mensajes de seguridad.



Este es el símbolo de advertencia de seguridad.

Este símbolo le llama la atención sobre peligros potenciales que pueden ocasionar la muerte o una lesión a usted y a los demás.

Todos los mensajes de seguridad irán a continuación del símbolo de advertencia de seguridad y de la palabra "PELIGRO" o "ADVERTENCIA". Estas palabras significan:

⚠ PELIGRO

Si no sigue las instrucciones de inmediato, usted puede morir o sufrir una lesión grave.

⚠ ADVERTENCIA

Si no sigue las instrucciones, usted puede morir o sufrir una lesión grave.

Todos los mensajes de seguridad le dirán el peligro potencial, le dirán cómo reducir las posibilidades de sufrir una lesión y lo que puede suceder si no se siguen las instrucciones.

INSTRUCCIONES IMPORTANTES DE SEGURIDAD

ADVERTENCIA: Para reducir el riesgo de incendio, choque eléctrico o lesiones personales al usar su acondicionador de aire, siga estas precauciones básicas:

- Conecte a un contacto de pared de conexión a tierra de 3 terminales.
- No quite el terminal de conexión a tierra.
- No use un adaptador.
- No use un cable eléctrico de extensión.
- Desconecte el acondicionador de aire antes de darle servicio.
- Use dos o más personas para mover e instalar el acondicionador de aire.

CONSERVE ESTAS INSTRUCCIONES

REQUISITOS DE INSTALACIÓN

Herramientas y piezas

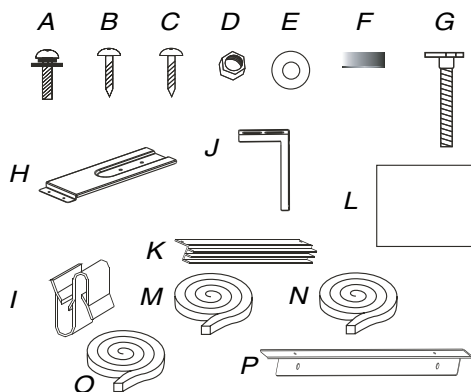
Reúna las herramientas y piezas necesarias antes de comenzar la instalación. Lea y siga las instrucciones provistas con cualquiera de las herramientas enlistadas aquí.

Herramientas necesarias

- Destornilladores Phillips y de hoja plana
- Cinta para medir
- Tijeras
- Lápiz
- Nivel
- Taladro
- Broca de 1/8"

Piezas suministradas

Verifique que estén todas las piezas en el paquete de piezas.



- | | |
|---|-------------------------------------|
| A. Tornillos para madera de 1" (2) | I. Abrazaderas de ajuste rápido (2) |
| B. Tornillos autorroscantes de 3/8" (4) | J. Soporte angular |
| C. Tornillos para metales de 7/16" (2) | K. Correderas (2) |
| D. Tuercas de 7/16" (2) | L. Panel de relleno |
| E. Arandelas planas de 7/16" (2) | M. Obturadores (2) |
| F. Cubierta del extremo | N. Espuma (2) |
| G. Perno de nivelación | O. Obturador corto |
| H. Plataforma de soporte | P. Retén superior |

Piezas necesarias

- En el caso de instalaciones en ventanas a bisagra de metal, se necesitará un panel de relleno de madera de 3/4" (19 mm) para una abertura mayor de 15 1/2" (39,4 cm) de ancho. Vea "Instalación en ventana a bisagra de metal o madera".
- En el caso de instalaciones en ventanas a bisagra de madera, se necesitará un marco de madera de 1" (2,5 cm). Vea "Instalación en ventana a bisagra de metal o madera".

NOTA: La instalación de este acondicionador de aire es con carácter permanente. Cuando lo instale en un departamento o propiedad de alquiler, deberá obtener permiso del propietario o locador del edificio para hacer modificaciones antes de instalar el acondicionado de aire.

Requisitos de ubicación

IMPORTANTE: Observe todos los códigos y reglamentos aplicables.

Verifique el lugar donde se instalará el acondicionador de aire. La instalación correcta es su responsabilidad. Asegúrese de que tiene todo lo necesario para una instalación correcta.

El lugar debe tener:

- Una ventana a bisagra o corrediza horizontalmente con un ancho mínimo de 15 1/2" (39,4 cm).
- Tomacorriente puesto a tierra a un máximo de 4 pies (122 cm) de la parte donde el cable eléctrico sale del acondicionador de aire.

NOTA: No use un cable eléctrico de extensión.

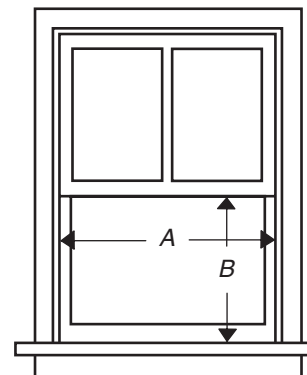
- Libertad de movimiento del aire en la habitación que desea enfriar.
- Una adecuada ensambladura de marco de la ventana y un soporte lateral de la estructura para el peso del acondicionador de aire. El acondicionador de aire pesa aproximadamente entre 82 libras (37,2 kg) y 100 libras (45 kg).

NOTA: No instale el acondicionador de aire en un área donde el panel delantero esté expuesto a fuentes de calor que aumenten la temperatura de la superficie del panel a un nivel superior a los 120°F (50°C).

Instalación en la ventana

Medidas de la abertura de la ventana:

- Ancho: 15 1/2" (39,4 cm) mínimo
- Altura: 22" (55,9 cm) mínimo



- A. 15 1/2" (39,4 cm) mínimo
B. 22" (55,9 cm) mínimo

Requisitos eléctricos

⚠ ADVERTENCIA



Peligro de Choque Eléctrico

Conecte a un contacto de pared de conexión a tierra de 3 terminales.

No quite el terminal de conexión a tierra.

No use un adaptador.

No use un cable eléctrico de extensión.

No seguir estas instrucciones puede ocasionar la muerte, incendio o choque eléctrico.

Las clasificaciones eléctricas para su acondicionador de aire están enumeradas en la etiqueta de número del modelo y de serie. La etiqueta con el número de modelo y serie está ubicada en el lado derecho del gabinete.

Los requisitos eléctricos específicos se indican en la siguiente tabla. Siga los requisitos para el tipo de enchufe en el cable de suministro de energía.

Cable eléctrico

Requisitos de cableado



- 115 voltios (103,5 mín. - 126,5 máx.)
- 0-12 amperios
- Fusible de retardo de 15 amperios o disyuntor
- Úselo solamente en un circuito con tomacorriente único.

Método recomendado para la puesta a tierra

Para su seguridad personal, este acondicionador de aire debe ser puesto a tierra. Este acondicionador de aire está equipado con un cable de suministro de energía provisto de un enchufe con tres terminales. Para reducir a un mínimo el peligro de posibles choques eléctricos, el cable debe ser enchufado en un contacto apropiado de pared de tres terminales conectado a tierra de acuerdo con todos los códigos y reglamentos locales. Si no se dispone de un tomacorriente apropiado, es responsabilidad del cliente hacer instalar un contacto con tres terminales debidamente puesto a tierra por un instalador eléctrico calificado.

Es responsabilidad del cliente:

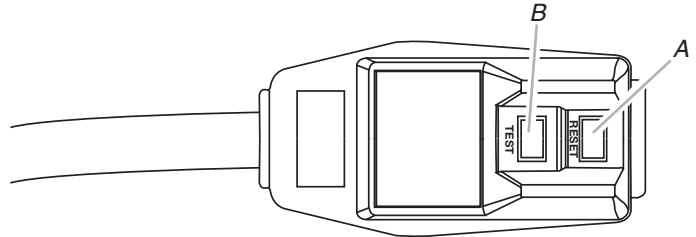
- Llamar a un instalador eléctrico calificado.
- Asegurarse de que la instalación eléctrica sea adecuada y esté hecha de acuerdo con el Código Nacional Eléctrico, ANSI/NFPA 70, última edición, y todos los códigos y reglamentos locales.

Pueden obtenerse copias de las normas señaladas en:

National Fire Protection Association
One Batterymarch Park
Quincy, Massachusetts 02269

Cable de suministro de energía

NOTA: Su aparato puede ser diferente del que se ilustra.



A. Botón de reposición
B. Botón de prueba

Este acondicionador de aire para habitación está equipado con un cable de suministro de energía según lo exige UL. Este cable de suministro de energía incluye circuitos electrónicos de última generación que detectan la corriente de fuga. Si se aplasta el cable, el elemento electrónico detecta la corriente de fuga y la energía se desconecta en una fracción de segundo.

⚠ ADVERTENCIA



Peligro de Choque Eléctrico

Conecte a un contacto de pared de conexión a tierra de 3 terminales.

No quite el terminal de conexión a tierra.

No use un adaptador.

No use un cable eléctrico de extensión.

No seguir estas instrucciones puede ocasionar la muerte, incendio o choque eléctrico.

Para poner a prueba el cable de suministro de energía:

1. Enchufe el cable de suministro de energía en un tomacorriente de 3 terminales con conexión a tierra.
2. Presione RESET (Reposición) (en algunos aparatos se encenderá una luz verde).
3. Presione TEST (Prueba) (escuche el chasquido, el botón de reposición se atrapará y en algunos aparatos se apagará una luz verde).
4. Presione y suelte RESET (escuche el chasquido, el botón de reposición queda asegurado y en algunos aparatos se encenderá una luz verde). El cable de suministro de energía está listo para su funcionamiento.

NOTAS:

- El botón de reposición debe presionarse para el funcionamiento adecuado.
- El cable de suministro de energía debe ser reemplazado si no se dispara cuando se presione el botón de prueba o cuando falle la reposición.
- No use el cable de suministro de energía como un interruptor de encendido y apagado. El cable de suministro de energía ha sido diseñado como un dispositivo protector.

- Un cable de suministro de energía dañado debe ser reemplazado por un nuevo cable de suministro de energía obtenido del fabricante del producto y no debe ser reparado.
- El cable de suministro de energía no contiene piezas que pueda arreglar el usuario. Todos los reclamos de desempeño y la garantía quedarán anulados si se abre el estuche resistente a alteraciones.

INSTRUCCIONES DE INSTALACIÓN

Desempaque el acondicionador de aire

⚠ ADVERTENCIA

Peligro de Peso Excesivo

Use dos o más personas para mover e instalar el acondicionador de aire.

No seguir esta instrucción puede ocasionar una lesión en la espalda u otro tipo de lesiones.

Quite los materiales de empaque

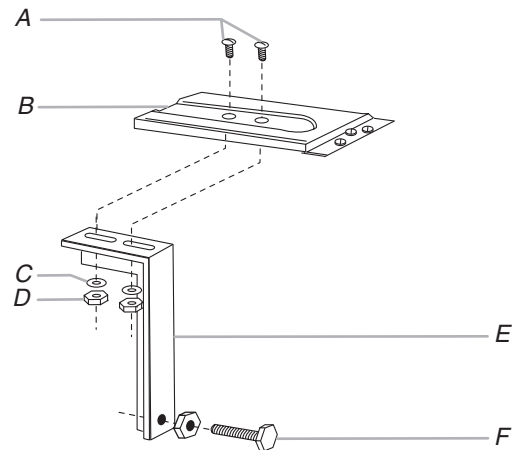
- Quite y deshágase debidamente de todos los materiales de embalaje. Quite las cintas y los residuos de goma del acondicionador de aire antes de encenderlo. Frote un poco de detergente líquido para vajillas sobre el adhesivo con los dedos. Limpie con agua tibia y seque.
- No use instrumentos filosos, alcohol para fricciones, líquidos inflamables o productos de limpieza abrasivos para eliminar los restos de cinta o goma. Estos productos pueden dañar la superficie de su acondicionador de aire.
- Trate el acondicionador de aire con cuidado.

Instalación en ventana corrediza de madera o metal

- Trate el acondicionador de aire con cuidado.
- Asegúrese de que el acondicionador de aire no se caiga de la abertura durante la instalación o al quitarlo.
- No bloquee las rejillas que están en el panel delantero.
- No bloquee las rejillas que están en el exterior del acondicionador de aire.
- La ensambladura del marco de la ventana y el lado de la estructura deben ser adecuados para resistir el peso del acondicionador de aire.

Instalación de la plataforma de soporte

1. Abra uno de los marcos de la ventana para instalar la plataforma de soporte.
2. Fije levemente el soporte angular a la parte inferior de la plataforma de soporte con dos tornillos para metales de $\frac{7}{16}$ ", arandelas planas y tuercas.

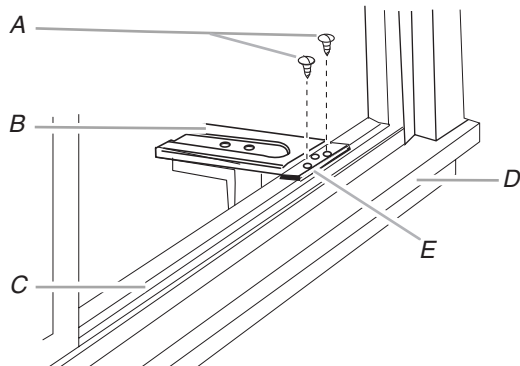


- A. Tornillos para metal de $\frac{7}{16}$ "
B. Placa de soporte
C. Arandela plana
D. Tuerca
E. Soporte angular
F. Perno de nivelación y contratuerca

3. Ubique la plataforma de soporte contra el riel inferior de la ventana y firmemente contra el borde vertical del marco de la ventana.
4. Ajuste la plataforma de soporte a la repisa de la ventana con dos tornillos para madera de 1".

Si fuera necesario, para evitar la interferencia de la plataforma de soporte con el riel de la ventana o contraventana, ajuste firmemente una tira espaciadora en la repisa de la ventana. La tira espaciadora debería ser tan larga como la anchura de la plataforma de soporte y estar nivelada con el borde posterior de la repisa de la ventana.

El grosor de la tira espaciadora debe controlarse en función de la interferencia.

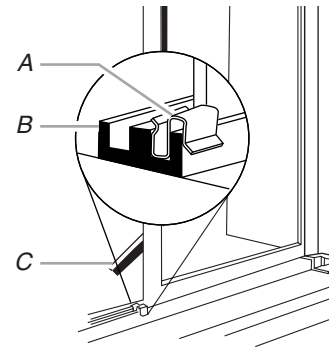


A. Tornillos para madera de 1" D. Repisa de la ventana
B. Placa de soporte E. Tira espaciadora
C. Riel inferior de la ventana

5. Tire del soporte angular contra la parte exterior de la estructura. Ajuste dos tornillos para metales de $\frac{7}{16}$ " en la parte superior de la plataforma de soporte.
6. Ajuste el perno de nivelación para nivelar el soporte angular. Ajuste la contratuerca del perno nivelador.

NOTA: El acondicionador de aire debe estar nivelado o levemente inclinado hacia atrás para poder deshacerse del condensado adecuadamente.

7. Corte dos pedazos de obturador de la altura de la abertura de la ventana. Retire el reverso y aplique el obturador al marco de la ventana y al marco deslizante que se apoyará sobre el gabinete del aire acondicionado.



A. Abrazadera de ajuste rápido
B. Canal de la ventana
C. Obturador plástico

6. Vea "Completar la instalación".

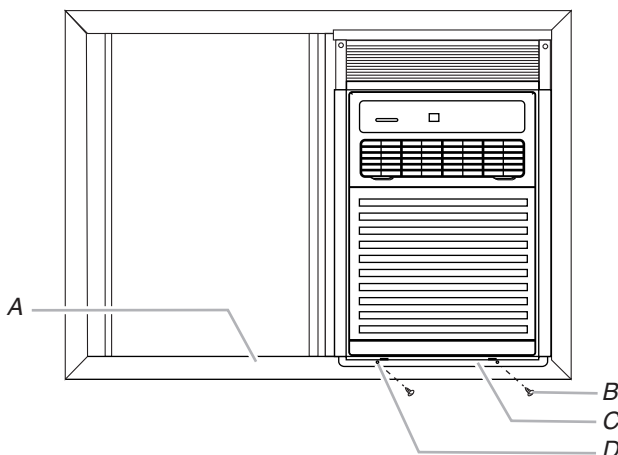
Instale el acondicionador de aire en la ventana

1. Deslice el acondicionador de aire sobre la plataforma de soporte. Asegúrese que el canal lateral del acondicionador de aire encaja firmemente contra el borde vertical del marco de la ventana.

NOTA: Si el canal lateral del acondicionador de aire no encaja firmemente contra el marco de la ventana, retire el acondicionador de aire y reajuste el perno nivelador.

2. Taladre dos orificios de $\frac{1}{8}$ " a través del marco del canal de la ventana en forma alineada con los orificios existentes en el soporte inferior. Instale dos tornillos autorroscantes de $\frac{3}{8}$ " a través de estos orificios.

NOTA: Si el marco del canal de la ventana no es lo suficientemente alto para poder usar los orificios existentes, taladre otros dos orificios a un costado de los orificios existentes para fijar el soporte inferior del acondicionador de aire a la plataforma de soporte. El acondicionador de aire debe estar firmemente sujetado al marco del canal de la ventana o a la plataforma de soporte.



A. Marco del canal de la ventana C. Soporte inferior
B. Tornillo autorroscante de $\frac{3}{8}$ " D. Orificio taladrado de $\frac{1}{8}$ "

Instalación en ventana a bisagra de metal o madera

- Trate el acondicionador de aire con cuidado.
- Asegúrese de que el acondicionador de aire no se caiga de la abertura durante la instalación o al quitarlo.
- No bloquee las rejillas que están en el panel delantero.
- No bloquee el movimiento de aire en el exterior del acondicionador de aire.
- La ensambladura del marco de la ventana y el lado de la estructura deben ser adecuados para resistir el peso del acondicionador de aire.

Instalación en ventanas a bisagra de metal

Este acondicionador de aire está diseñado para encajar en casi todo tipo de ventanas embisagradas. Tal como fue enviada de la fábrica, el acondicionador de aire entrará en una abertura mínima de ventana de $15\frac{1}{2}$ " (39,4 cm) de ancho y 22" (55,9 cm) de alto. El método ideal de instalación es a través de una ventana cerrada o fija. Se puede realizar la instalación en un marco de ventana abierta cuando la ventana abierta pueda estar fijada al exterior del edificio o se pueda quitar completamente.

Ventana cerrada o fija

Instale el acondicionador de aire en el marco fijo para evitar manijas o trabas de ventana. Si el acondicionador de aire se va a instalar en o cerca del marco movable, es posible que sea necesario quitar la traba, manija o ambas.

- Quite la manija y asegure la ventana en su posición cerrada. Quite los paneles de vidrio y las cintas separadoras a una altura suficiente para montar el acondicionador de aire.

Marco de ventana abierta

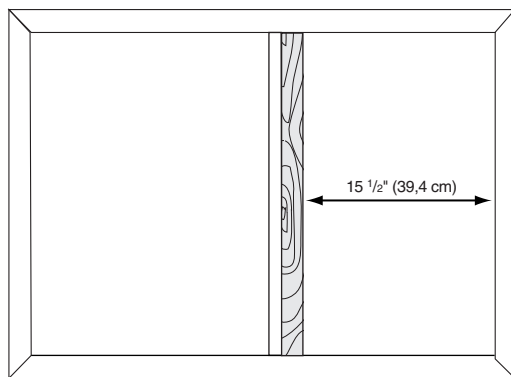
1. Quite el mecanismo de traba y las manijas.
2. Doble el marco de la ventana contra la pared exterior del edificio y fíjela o bien, retírela por completo si fuera posible.

Instalación en ventanas a bisagra de madera

1. Construya un marco con un panel de madera de un grosor mínimo de 1" (2,5 cm) y una abertura de 15½" (39,4 cm) de ancho.
2. Pinte el marco y ajústelo firmemente, sellándolo a la abertura de la ventana.

Si el ancho de la abertura de la ventana es mayor que 15½" (39,4 cm):

1. Mida desde un lado de la abertura de la ventana 15½" (39,4 cm). Desde este punto, mida hasta el lado opuesto de la abertura de la ventana para obtener el ancho del panel de relleno. Mida la altura de la ventana. Corte un panel de relleno de madera de ¾" (19 mm) de grosor y de la altura completa de la ventana.
2. Sujete con firmeza a la parte lateral de la abertura.

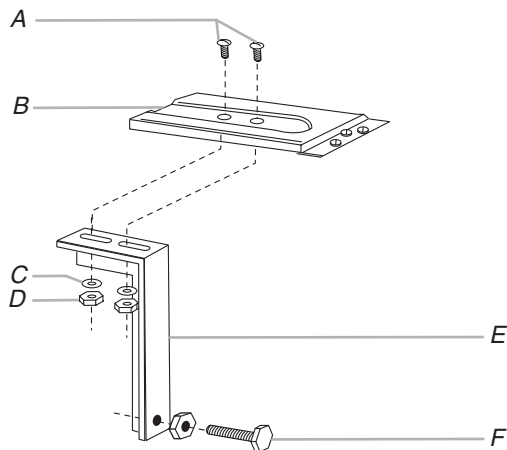


15 ½" (39,4 cm) de la parte lateral de la ventana hasta el panel de relleno de madera.

3. Pinte del color deseado.

Instalación de la plataforma de soporte

1. Fije levemente el soporte angular a la parte inferior de la plataforma de soporte con dos tornillos para metales de 7/16", arandelas planas y tuercas.

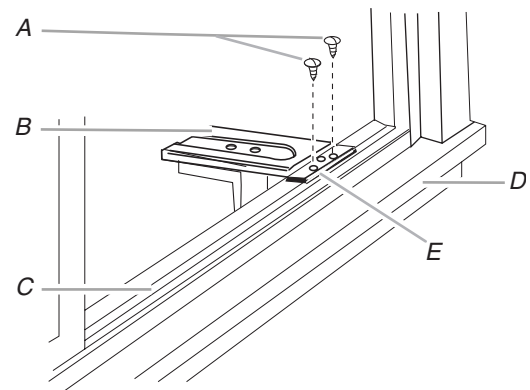


A. Tornillos para metales de 7/16" D. Tuerca
B. Plataforma de soporte E. Soporte angular
C. Arandela plana F. Perno de nivelación y contratuerca

2. Ubique la plataforma de soporte contra el riel inferior de la ventana y firmemente contra el borde vertical del marco de la ventana.
3. Ajuste la plataforma de soporte a la repisa de la ventana con dos tornillos para madera de 1".

Si fuera necesario, para evitar la interferencia de la plataforma de soporte con el riel de la ventana o contraventana, ajuste firmemente una tira espaciadora en la repisa de la ventana. La tira espaciadora debería ser tan larga como el ancho de la plataforma de soporte y estar nivelada con el borde posterior de la repisa de la ventana.

El grosor de la tira espaciadora debe controlarse en función de la interferencia.

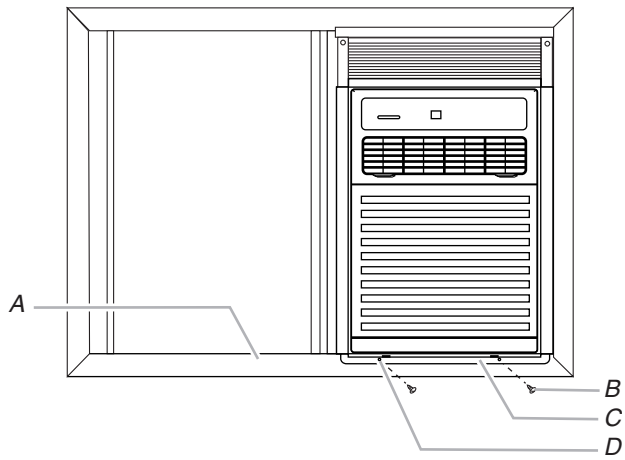


A. Tornillos para madera de 1" D. Repisa de la ventana
B. Plataforma de soporte E. Tira espaciadora
C. Riel inferior de la ventana

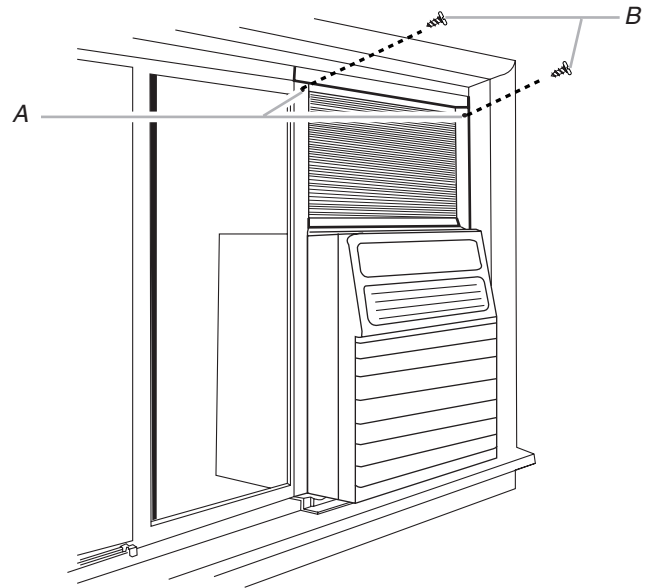
4. Tire del soporte angular contra la parte exterior de la estructura. Ajuste dos tornillos para metales de 7/16" en la parte superior de la plataforma de soporte.
 5. Ajuste el perno de nivelación para ubicar el soporte angular en una placa nivelada. Esto permitirá obtener un ángulo adecuado. Ajuste el perno nivelador.
- NOTA:** El acondicionador de aire debe estar nivelado o levemente inclinado hacia atrás para poder deshacerse del condensado adecuadamente.
6. Corte dos pedazos de obturador de la altura de la abertura de la ventana. Quite el reverso y aplique en ambos lados del marco de la ventana.

Instale el acondicionador de aire en la ventana

1. Deslice el acondicionador de aire sobre la plataforma de soporte. Asegúrese que el canal lateral del acondicionador de aire encaja firmemente contra el borde vertical del marco de la ventana.
- NOTA:** Si el canal lateral del acondicionador de aire no encaja firmemente contra el marco de la ventana, retire el acondicionador de aire y reajuste el perno nivelador.
2. Taladre dos orificios de 1/8" a través del marco del canal de la ventana en forma alineada con los orificios existentes en la barra inferior. Instale dos tornillos autorroscantes de 3/8" a través de estos orificios.
- NOTA:** Si el marco del canal de la ventana no es lo suficientemente alto para poder usar los orificios existentes, taladre otros dos orificios a un costado de los orificios existentes para fijar la barra inferior del acondicionador de aire a la plataforma de soporte. El acondicionador de aire debe estar firmemente sujetado al marco del canal de la ventana o a la plataforma de soporte.



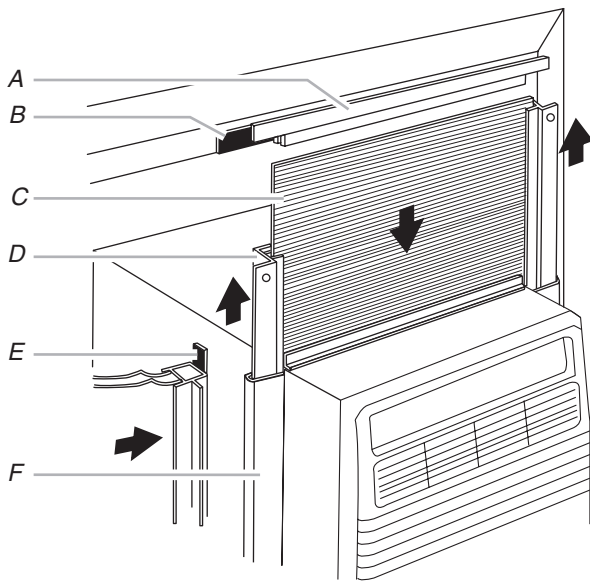
A. Marco del canal de la ventana
 B. Tornillo autorroscante de $\frac{3}{8}$ "
 C. Soporte inferior
 D. Orificios taladrados de $\frac{1}{8}$ "



A. Orificio taladrado de $\frac{1}{8}$ "
 B. Tornillo autorroscante de $\frac{3}{8}$ "

Complete la instalación

- Coloque el retén superior en el borde superior del panel de relleno, luego coloque el borde inferior del panel de relleno en la ranura del retén inferior (montado sobre el acondicionado de aire). Se puede recortar el panel de relleno con un cuchillo o tijeras para que coincida con la altura de la ventana. Deslice las correderas hacia arriba asegurándose de que el panel de relleno esté alineado con las correderas.



A. Retén superior
 B. Obturador debajo del retén superior
 C. Tablero de relleno
 D. Corredera
 E. Selle entre la parte lateral del gabinete y el marco deslizante (únicamente en la instalación de ventana corrediza)
 F. Canal lateral

- Con las barras correderas contra el retén superior, taladre un orificio de $\frac{1}{8}$ " a través del marco de la ventana en forma alineada con el orificio existente en la barra corredera. Instale un tornillo autorroscante de $\frac{3}{8}$ " en el orificio. Repita el procedimiento para la otra barra corredera.

- Controle todos los obturadores y tape todas las fugas alrededor de el acondicionado de aire. Utilice un sellador para rellenar cualquier abertura menor.

⚠ ADVERTENCIA



Peligro de Choque Eléctrico

Conecte a un contacto de pared de conexión a tierra de 3 terminales.

No quite el terminal de conexión a tierra.

No use un adaptador.

No use un cable eléctrico de extensión.

No seguir estas instrucciones puede ocasionar la muerte, incendio o choque eléctrico.

- Conecte a un contacto de pared de conexión a tierra de 3 terminales.
- Presione RESET (Reposición) sobre el cable de suministro de energía.

CÓMO USAR SU ACONDICIONADOR DE AIRE

Operar debidamente su acondicionador de aire le permite obtener los mejores resultados posibles.

Esta sección le explica cómo operar su acondicionador de aire debidamente.

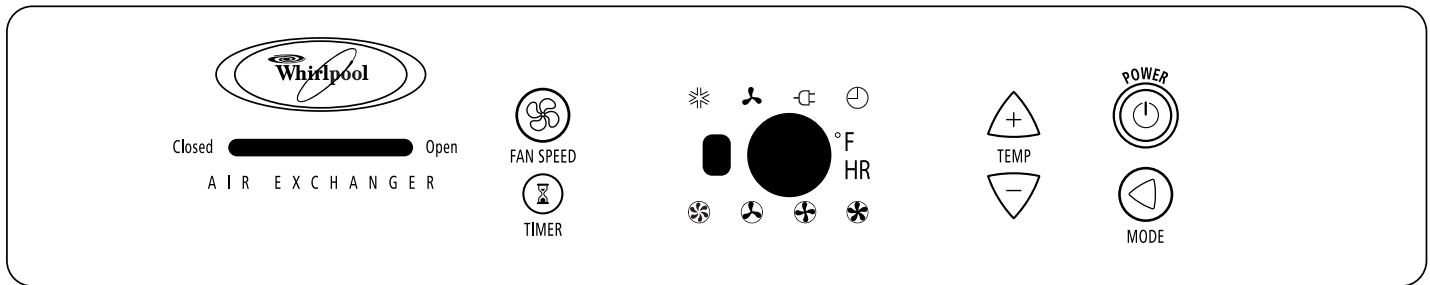
IMPORTANTE:

- Si usted apaga el acondicionador de aire, espere por lo menos 3 minutos antes de volver a ponerlo en marcha. Esto evitará que se queme un fusible o se dispare un disyuntor de circuito a causa del acondicionador de aire.
- No trate de operar su acondicionador de aire en el modo de enfriamiento cuando la temperatura exterior sea menor de 66°F (19°C). El serpentín interior del evaporador se congelará y el acondicionador de aire no funcionará debidamente.

NOTAS:

- En caso de un corte de corriente, su acondicionador de aire volverá a ponerse en marcha automáticamente.
- Si el control electrónico no responde a los comandos de los botones o del control remoto, se deberá desenchufar el acondicionador de aire del tomacorriente por 5 segundos antes de volver a enchufarlo.

Cómo poner en marcha su acondicionador de aire



NOTA: Si la temperatura de la habitación es menor de 55°F (13°C), la pantalla mostrará 55°F (13°C). Si la temperatura de la habitación es mayor de 99°F (37°C), la pantalla mostrará 99°F (37°C).

1. Quite la película protectora transparente del panel de control y de la placa del panel delantero.
2. Fije el renovador de aire. Vea “Air Exchanger (Renovador de aire)”.
3. Oprima POWER (Encendido) para encender el acondicionador de aire.



NOTA: Cuando se enciende el acondicionador de aire por primera vez después de haberlo enchufado, mostrará en la pantalla los ajustes programados: Modo Cool (Enfriamiento), velocidad de ventilación Turbo, 72°F (22°C) por 3 segundos. Cuando se encienda todas las otras veces, mostrará los ajustes previos por 3 segundos y luego mostrará la temperatura de la habitación.

4. Seleccione el modo. Vea “Mode (Modo)”.
5. Seleccione la velocidad de ventilación. Vea “Fan Speed (Velocidad de ventilación)”.
6. Seleccione la temperatura. Vea “Temperatura”.

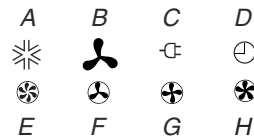
Air Exchanger (Renovador de aire)

Coloque el control Air Exchanger en la posición CLOSED (Cerrado) para un enfriamiento máximo continuo. El Air Exchanger en la posición OPEN (Abierto) hace circular el aire fresco y hace escapar el aire viciado o humoso de la sala.

- Abierto—para hacer salir el aire de la sala al exterior
- Cerrado—para máxima circulación del aire y enfriamiento



Símbolos de la pantalla



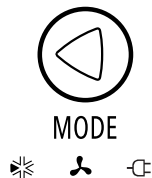
- | | |
|---|---|
| A. Luz indicadora de modo Cool (Enfriamiento) | E. Luz indicadora de modo ventilación Auto (Automático) |
| B. Luz indicadora de modo Fan Only (Sólo ventilación) | F. Luz indicadora de modo ventilación Low (Baja) |
| C. Luz indicadora de modo Power Saver (Ahorro de energía) | G. Luz indicadora de modo ventilación High (Alta) |
| D. Luz indicadora de Timer (Temporizador) | H. Luz indicadora de modo ventilación Turbo |

Mode (Modo)

1. Oprima MODE (Modo) hasta que se encienda la luz del indicadora para la posición que usted desea.
2. Seleccione Cool (Enfriamiento), Fan Only (Sólo ventilación) o Power Saver (Ahorro de energía).
 - Cool (Enfriamiento)—Enfría la sala. Presione FAN SPEED (Velocidad del ventilador) para seleccionar la velocidad del ventilador. Luego ajuste la temperatura presionando los botones de más o de menos.
 - Fan Only (Sólo ventilación)—Sólo funciona el ventilador. Puede seleccionar la velocidad del ventilador presionando FAN SPEED (velocidad de ventilador), pero no puede ajustar el control de Temperature (Temperatura). La pantalla muestra la temperatura actual de la habitación.

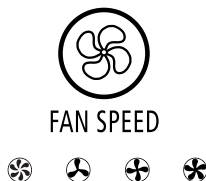
- Power Saver (Ahorro de energía)—El ventilador funciona únicamente cuando se necesita enfriamiento. Usted puede seleccionar la velocidad de ventilación oprimiendo FAN SPEED (Velocidad de ventilación).

Ya que el ventilador no hace circular continuamente el aire de la habitación, se consume menos energía, pero el aire de la habitación circula con menos frecuencia. Utilice el modo de Power Saver cuando esté fuera del hogar o durmiendo.



Fan Speed (Velocidad de ventilación)

1. Oprima FAN SPEED hasta que se encienda la luz del indicadora para la posición que usted desea.
2. Seleccione Auto (Automática), Low (Baja), High (Alta) o Turbo. Cuando se seleccione Auto, la velocidad del ventilador cambiará automáticamente a medida que la temperatura de la habitación cambia.
 - 7° o más por encima de la temperatura fijada, funcionará en Turbo.
 - 4° - 7° por encima de la temperatura fijada, funcionará en High.
 - 4° o menos de la temperatura fijada, funcionará en Low.



Temperatura

Presione el botón TEMP (Temperatura) de más. La pantalla del acondicionador de aire muestra el ajuste de control Temperature (temperatura). Cada vez que usted presione o sostenga el botón de más, la temperatura aumentará de a 1° hasta llegar a 88°F (31°C).



Presione el botón TEMP de menos. La pantalla del acondicionador de aire muestra el ajuste de control Temperature (temperatura). Cada vez que presione o sostenga el botón de menos, la temperatura disminuirá de a 1° hasta llegar a 66°F (19°C).

Para cambiar la pantalla de la temperatura de °F a °C

Oprima ambos botones a la vez para cambiar la pantalla de °F a °C.

Retardo del temporizador

Para programar el temporizador para un retardo de 1 a 24 horas hasta que el acondicionador de aire se encienda (el acondicionador de aire tiene que estar apagado):

1. Oprima TIMER (Temporizador). La luz indicadora del temporizador permanecerá encendida.



2. Oprima el botón de más o de menos para cambiar el tiempo de retardo de 1 a 24 horas.
3. Para apagar el temporizador, presione nuevamente TIMER (Temporizador) o presione POWER (Energía) para apagar el acondicionador de aire.

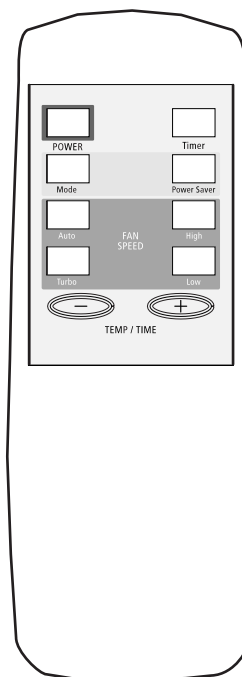
NOTA: La pantalla mostrará el tiempo restante hasta que el acondicionador de aire se encienda.

Para programar el temporizador para un retardo de 1 a 24 horas hasta que el acondicionador de aire se apague (el acondicionador de aire tiene que estar encendido):

1. Presione TIMER. La luz indicadora del temporizador permanecerá encendida.
2. Presione el botón de más o menos para cambiar el tiempo de retardo de 1 a 24 horas. La pantalla volverá automáticamente a la temperatura fijada después de 12 segundos.
3. Para que aparezca en la pantalla la cantidad de tiempo restante, oprima y suelte TIMER una vez.
4. Para apagar el temporizador, presione nuevamente TIMER dentro de los 12 segundos.

Para poner en marcha el acondicionador de aire con el control remoto

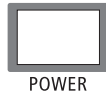
NOTA: La apariencia del control remoto puede variar.



NOTA: El control remoto se alimenta con dos pilas AA (incluidas). Cambie las pilas después de 6 meses de uso o cuando el control remoto comienza a perder fuerza.

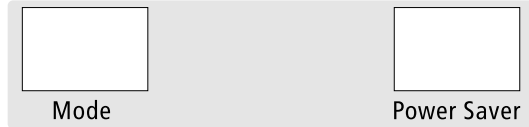
Para encender o apagar el acondicionador de aire:

Presione POWER (Energía).



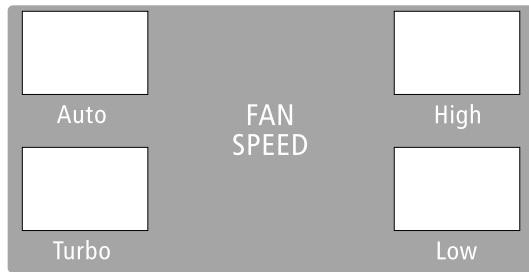
Para seleccionar el modo o ahorro de energía:

1. Oprima MODE (modo) para seleccionar Cool (enfriamiento) o Fan Only (sólo ventilación).
2. Oprima POWER SAVER para seleccionar el modo de Power Saver (ahorro de energía).
 - Cool (Enfriamiento), Fan Only (Sólo ventilación) o Power Saver (Ahorro de energía)—usted puede ajustar la velocidad del ventilador.



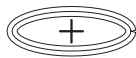
Para seleccionar la velocidad de ventilación (solamente en el modo de Cool, Fan Only o Power Saver):

Oprima AUTO, TURBO, HIGH o LOW.



Para subir la temperatura:

Presione el botón de más. La pantalla en el acondicionador de aire muestra el ajuste de control Temperature (temperatura). Cada vez que usted oprime o sostiene el botón de más, la temperatura aumentará de a 1° hasta alcanzar los 88°F (31°C).



Para bajar la temperatura:

Presione el botón de menos. La pantalla en el acondicionador de aire muestra el ajuste de control Temperature (temperatura). Cada vez que usted oprime o sostiene el botón de menos, la temperatura baja de a 1° hasta alcanzar los 66°F (19°C).



Para programar el temporizador para un retardo de 1 a 24 horas antes de que el acondicionador de aire se encienda (el acondicionador de aire tiene que estar apagado):

1. Oprima TIMER. La luz indicadora Temporizador en el acondicionador de aire destellará. La pantalla en el acondicionador mostrará las horas restantes antes de que se apague el acondicionador de aire.



2. Oprima el botón de más o menos para cambiar el tiempo de retardo (de 1 a 24 horas).
3. Oprima TIMER nuevamente o espere 10 segundos. La luz indicadora Temporizador en el acondicionador de aire permanecerá encendida. La pantalla en el acondicionador de aire mostrará la temperatura actual de la habitación.

Para programar el temporizador de manera que el acondicionador de aire se encienda manteniendo los ajustes previos:

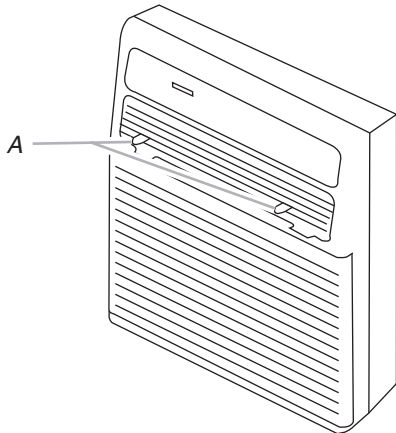
1. Apague el acondicionador de aire.
2. Oprima TIMER. La luz indicadora Temporizador en el acondicionador de aire destellará. La pantalla en el acondicionador mostrará las horas restantes antes de que se apague el acondicionador de aire.
3. Presione el botón de más o menos para cambiar el tiempo de retardo (de 1 a 24 horas).
4. Oprima TIMER nuevamente o espere 10 segundos. La luz indicadora Temporizador en el acondicionador de aire permanecerá encendida. La pantalla en el acondicionador de aire mostrará la temperatura actual de la habitación.

Para programar el temporizador de manera que el acondicionador de aire se encienda cambiando los ajustes previos:

1. Encienda el acondicionador de aire.
2. Ajuste el Modo a Cool (Frío), Fan Only (Sólo ventilador) o Power Saver (Ahorro de energía).
3. Ajuste Fan Speed (velocidad de ventilación) a Auto (Automática), Turbo, High (alta) o Low (baja).
4. Ajuste la temperatura entre 66°F (19°C) y 88°F (31°C).
5. Espere 3 segundos antes de apagar el acondicionador de aire.
6. Oprima TIMER. La luz indicadora Temporizador en el acondicionador de aire destellará. La pantalla en el acondicionador de aire mostrará las horas restantes antes de que se encienda el acondicionador de aire.
7. Oprima el botón de más o menos para cambiar el tiempo de retardo (de 1 a 24 horas).
8. Oprima TIMER nuevamente o espere 10 segundos. La luz indicadora Temporizador en el acondicionador de aire permanecerá encendida. La pantalla en el acondicionador de aire mostrará la temperatura actual de la habitación.

Cómo cambiar la dirección del aire

Use los brazos para ajustar las celosías y obtener el flujo de aire deseado.



A. Brazos

Sonidos normales

Cuando el acondicionador de aire está funcionando normalmente, usted podrá escuchar sonidos como:

- Gotas de agua que caen sobre el condensador, produciendo tintineos o chasquidos. Las gotas de agua ayudan a enfriar el condensador.
- El movimiento del aire que sale del ventilador.
- Chasquidos del ciclo del termostato.
- Vibraciones o ruidos debidos a deficiencias en la construcción de la pared o ventana.
- Un zumbido agudo o un ruido pulsante producido por la alternación de los ciclos del moderno compresor de alta eficiencia.

CÓMO CUIDAR SU ACONDICIONADOR DE AIRE

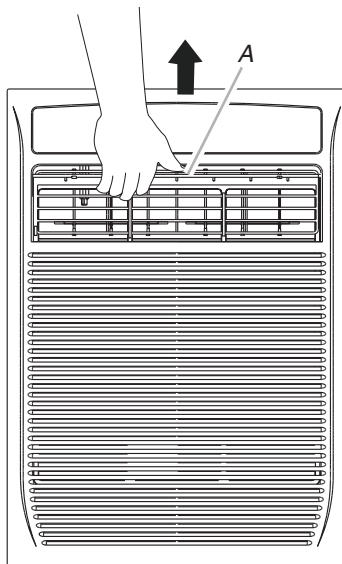
Su nuevo acondicionador de aire está diseñado para darle muchos años de servicio confiable. Esta sección le da la información acerca de la limpieza adecuada y el cuidado de su acondicionador de aire. Llame al vendedor autorizado de su localidad para un chequeo anual. Acuérdesese...el precio de esta llamada de servicio es su responsabilidad.

Limpieza del filtro de aire

El filtro de aire puede quitarse para una limpieza fácil. Un filtro limpio ayuda a quitar el polvo, las pelusas y otras partículas del aire, y es importante para que el aparato enfríe mejor y funcione más eficientemente. Revise el filtro semanalmente para ver si necesita limpieza.

NOTA: No haga funcionar el acondicionador de aire si el filtro no está colocado en su lugar.

1. Apague el acondicionador de aire.
2. Quite el filtro de aire levantándolo y jalándolo hacia afuera.



A. Manija del filtro de aire

3. Lave el filtro de aire cuidadosamente con un detergente suave y agua tibia. Enjuague con agua limpia, escurra y vuelva a colocarlo.
4. Vuelva a colocar el filtro de aire.

Limpieza de la rejilla de entrada

1. Desenchufe el acondicionador de aire o desconecte el suministro de energía.
2. Retire los dos tornillos laterales y quite la cubierta frontal.
3. Limpie la rejilla de entrada con un paño suave húmedo.
4. Seque al aire la rejilla de entrada por completo.
5. Vuelva a colocar en el acondicionador de aire la cubierta frontal y asegúrela con los dos tornillos laterales.
6. Enchufe el acondicionador de aire o reconecte el suministro de energía.

Reparación de la pintura dañada

Revise una o dos veces al año si hay daños en la pintura. Esto es muy importante, especialmente en lugares que están cerca de los océanos o donde la herrumbre es un problema. Si es necesario, retoque con un esmalte de buena calidad.

SOLUCIÓN DE PROBLEMAS

Usted puede resolver fácilmente muchos problemas frecuentes del acondicionador de aire ahorrándose el costo de una llamada de servicio. Pruebe las sugerencias que se incluyen a continuación para ver si puede resolver el problema sin ayuda.

Su acondicionador de aire no funciona

- **El cable de alimentación eléctrica está desconectado.** Conecte a un contacto de pared de conexión a tierra de 3 terminales. Vea “Requisitos eléctricos”.
- **El cable de suministro de energía se traba (el botón de reposición salta).** Presione y suelte RESET (escuche el chasquido, el botón de reposición queda asegurado y se mantiene asegurado) para reanudar el funcionamiento.
- **Se ha fundido un fusible de la casa o disparado un disyuntor.** Reemplace el fusible o reposicione el disyuntor. Vea “Requisitos eléctricos”.
- **No se ha presionado el botón de Power (Encendido).** Presione POWER.
- **Se ha interrumpido la energía eléctrica en su localidad.** Espere que se restablezca la energía eléctrica.

El acondicionador de aire funde los fusibles o dispara los disyuntores

- **Se están usando muchos aparatos en el mismo circuito.** Desconecte o ponga en otro lugar los aparatos que estén usando el mismo circuito.
- **Se está usando un fusible de retardo o un disyuntor con la capacidad incorrecta.** Reemplácelo con un fusible de retardo o un disyuntor con la capacidad correcta. Vea “Requisitos eléctricos”.
- **Se está usando un cable eléctrico de extensión.** No use un cable eléctrico de extensión con este ni cualquier otro aparato.
- **Usted está tratando de volver a poner en marcha el acondicionador de aire muy poco tiempo después de apagarlo.** Espere por lo menos 3 minutos antes de poner en marcha el acondicionador de aire después de apagarlo.

El cable de suministro de energía del acondicionador de aire se traba (el botón de reposición salta)

- **Las interrupciones en la corriente eléctrica de su casa pueden hacer trabar (el botón de reposición saltará) el cable de suministro de energía.** Presione y libere RESET (Reposición) (escuche el chasquido, el botón de reposición queda asegurado y se mantiene asegurado) para reanudar el funcionamiento.
- **Una sobrecarga eléctrica, el recalentamiento, los pellizcos y el envejecimiento pueden hacer que se trabe (el botón de reposición saltará) el cable de suministro de energía.** Luego de corregir el problema, presione y libere RESET (Reposición) (escuche el chasquido, el botón de reposición queda asegurado y se mantiene asegurado) para reanudar el funcionamiento.

NOTA: Un cable de suministro de energía dañado debe ser reemplazado por un nuevo cable de suministro de energía obtenido del fabricante del producto y no debe ser reparado.

Parece que el acondicionador de aire funciona excesivamente

- **Su actual acondicionador de aire reemplazó un modelo viejo.** El uso de componentes más eficientes puede hacer que el acondicionador de aire funcione por más tiempo que su antiguo modelo, pero el consumo total de energía será menor. Los acondicionadores de aire más nuevos no emiten las “ráfagas” de aire frío a las que usted estaba acostumbrado con sus unidades anteriores, pero esto no es indicio de menor capacidad o eficiencia en el enfriamiento. Verifique el régimen de eficiencia (EER) y el régimen de capacidad (en BTU/hr.) que se indican en el acondicionador de aire.
- **El acondicionador de aire está en una habitación muy congestionada o se están usando en la misma habitación aparatos que generan calor.** Use ventiladores aspiradores cuando esté cocinando o bañándose y trate de no usar aparatos que generan calor durante las horas más calurosas del día. Podría necesitar un acondicionador de aire con más capacidad, dependiendo del tamaño de la habitación que se desea enfriar.

El acondicionador de aire se enciende y se apaga demasiado o no enfría la habitación

- **El control de Mode está puesto en Power Saver (Ahorro de energía).** Utilice el modo de ahorro de energía únicamente cuando esté fuera de su hogar o durmiendo. Use Cool y un ajuste de ventilación mayor para sentirse más cómodo.
- **El acondicionador de aire no tiene el tamaño adecuado para su habitación.** Verifique la capacidad de enfriamiento de su acondicionador de aire para habitación. Los acondicionadores de aire para habitaciones no están diseñados para enfriar varias habitaciones.
- **El filtro está sucio u obstruido por desechos.** Limpie el filtro.
- **Hay demasiado calor o humedad (se está cocinando en recipientes abiertos, duchas, etc.) en la habitación.** Use un ventilador para eliminar el calor o la humedad de la habitación. Trate de no usar aparatos que generan calor durante las horas más calurosas del día.
- **Las rejillas están bloqueadas.** Instale el acondicionador de aire en un lugar donde las rejillas no estén bloqueadas por cortinas, persianas, muebles, etc.
- **La temperatura exterior es inferior a los 66°F (19°C).** No trate de poner en marcha el acondicionador de aire en el modo de enfriamiento cuando la temperatura exterior sea inferior a los 66°F (19°C).
- **La temperatura de la habitación que está tratando de enfriar está demasiado caliente.** Deje pasar más tiempo para que el acondicionador de aire enfríe una habitación muy caliente.
- **Están abiertas ventanas o puertas que dan al exterior.** Cierre todas las puertas y ventanas.
- **El Air Exchanger (Renovador de Aire) está en ABIERTO (en algunos modelos).** Fije el control de Respiradero en la posición CERRADO para un enfriamiento y/o calefacción máximos.

- **El control de temperatura no está en una posición lo suficientemente fría.** Ajuste el control de temperatura a una posición más fría. Oprima el botón TEMP de menos para reducir la temperatura de a 1° hasta que llegue a los 66°F (19°C). Ponga el control de Fan Speed en Turbo.

Se filtra agua del gabinete a su casa

- **El acondicionador de aire no está debidamente nivelado.** El acondicionador de aire debe inclinarse ligeramente hacia abajo, hacia el exterior. Nivele el acondicionador de aire de manera que tenga una inclinación hacia abajo, hacia el exterior para asegurar el debido desagüe. Vea las Instrucciones de instalación.

NOTA: No perforo un orificio en la parte inferior de la base de metal o del colector de condensado.

El acondicionador de aire enfría, pero la habitación está demasiado caliente—se forma hielo en el serpentín de enfriamiento detrás de la rejilla de entrada

- **La temperatura exterior es inferior a los 66°F (19°C).** No trate de poner en marcha el acondicionador de aire en el modo de enfriamiento cuando la temperatura exterior sea inferior a los 66°F (19°C).
- **El filtro está sucio u obstruido por desechos.** Limpie el filtro.

AYUDA O SERVICIO TÉCNICO

Antes de solicitar ayuda o servicio técnico, por favor consulte la sección “Solución de Problemas.” Esto le podría ahorrar el costo de una visita de servicio técnico. Si considera que aún necesita ayuda, siga las instrucciones que aparecen a continuación.

Cuando llame, tenga a mano la fecha de compra y el número completo del modelo y de la serie de su electrodoméstico. Esta información nos ayudará a atender mejor a su pedido.

Si necesita piezas de repuesto

Si necesita pedir piezas de repuesto, recomendamos que use únicamente piezas especificadas de fábrica FSP®. Estas piezas encajarán bien y funcionarán bien ya que están confeccionadas con la misma precisión empleada en la fabricación de cada electrodoméstico nuevo de WHIRLPOOL®.

Para encontrar piezas de repuesto FSP® en su localidad, llámenos o comuníquese con el centro de servicio designado por Whirlpool más cercano a su localidad.

En los EE.UU.

Llame al Centro para la eXperiencia del cliente de Whirlpool sin costo alguno al: **1-800-253-1301**.

Nuestros consultores ofrecen asistencia con respecto a:

- Características y especificaciones de nuestra línea completa de electrodomésticos.
- Información sobre instalación.
- Procedimiento para el uso y mantenimiento.
- Venta de accesorios y piezas para reparación.
- Asistencia especializada para el cliente (habla hispana, problemas de audición, visión limitada, etc.).
- Recomendaciones con distribuidores locales, compañías que dan servicio y distribuidores de partes para reparación. Los técnicos de servicio designados por Whirlpool están entrenados para cumplir con la garantía del producto y ofrecer servicio una vez que la garantía termine, en cualquier lugar de los Estados Unidos.

Para localizar a una compañía de servicio designada por Whirlpool en su área, también puede consultar la sección amarilla de su guía telefónica.

Para obtener más asistencia

Si necesita asistencia adicional, puede escribir a Whirlpool Corporation con sus preguntas o dudas a:

Whirlpool Brand Home Appliances
Customer eXperience Center
553 Benson Road
Benton Harbor, MI 49022-2692

Favor de incluir un número telefónico de día en su correspondencia.

GARANTÍA DEL ACONDICIONADOR DE AIRE DE WHIRLPOOL®

GARANTÍA TOTAL DE UN AÑO

Durante un año a partir de la fecha de compra, si este acondicionador de aire no funciona habiéndose operado y mantenido de acuerdo con las instrucciones adjuntas o proporcionadas con el producto, Whirlpool Corporation se hará cargo de las piezas de repuesto y del gasto del trabajo de reparación para corregir defectos de los materiales o de mano de obra. El servicio debe ser provisto por una compañía de servicio designada por Whirlpool.

GARANTÍA TOTAL DEL SEGUNDO AL QUINTO AÑO PARA EL SISTEMA SELLADO DE REFRIGERACIÓN

Del segundo hasta el quinto año a partir de la fecha de compra, mientras este acondicionador de aire haya sido operado y mantenido según las instrucciones adjuntas o provistas con el producto, Whirlpool Corporation se hará cargo de las piezas de repuesto y del gasto del trabajo de reparación para corregir defectos en los materiales o de mano de obra en el sistema sellado de refrigeración incluyendo el compresor, evaporador, condensador, secadora filtro y tubos de conexión. El servicio deberá ser suministrado por una compañía de servicio designada por Whirlpool.

Whirlpool Corporation no pagará por:

1. Llamadas de servicio para corregir la instalación de su acondicionador de aire, instruirle cómo usar su acondicionador de aire, reemplazar fusibles de la casa, corregir el cableado de la casa o reconectar disyuntores, o para limpiar o cambiar los filtros de aire accesibles al propietario.
2. Reparaciones cuando su acondicionador de aire se use de un modo diferente al doméstico normal de una sola familia.
3. Daños causados por accidente, alteración, uso indebido, abuso, incendio, inundación, actos fortuitos, instalación incorrecta que no esté de acuerdo con los códigos eléctricos y de plomería locales o el empleo de productos no aprobados por Whirlpool Corporation.
4. Gastos para piezas de repuesto o de mano de obra para la reparación de unidades que se empleen fuera de los Estados Unidos.
5. Recogida y entrega. Su acondicionador de aire está diseñado para ser reparado en el hogar.
6. La remoción y reinstalación de su acondicionador de aire si se ha instalado en un lugar elevado u otro lugar inaccesible, o no se ha instalado de acuerdo con las instrucciones de instalación publicadas.
7. Reparaciones de piezas o sistemas como resultado de modificaciones no autorizadas que se hayan efectuado en el electrodoméstico.

WHIRLPOOL CORPORATION NO SE HARÁ RESPONSABLE POR DAÑOS INCIDENTALES O CONSECUENTES.

Algunos estados no permiten la exclusión o limitación de daños incidentales o consecuentes, de modo que esta exclusión o limitación quizás no le corresponda a usted. Esta garantía le otorga derechos legales específicos, y es posible que usted tenga también otros derechos, los cuales varían de un estado a otro.

Esta garantía no tiene vigor fuera de los 50 Estados Unidos. Póngase en contacto con el distribuidor autorizado de Whirlpool para determinar si corresponde otra garantía.

Si necesita servicio, vea primero la sección "Solución de problemas". Puede obtener ayuda adicional revisando la sección "Ayuda o servicio técnico" o llamando al Centro para la eXperiencia del cliente al **1-800-253-1301**, desde cualquier parte de los EE.UU. o escriba a: Whirlpool Corporation, Customer eXperience Center, 553 Benson Road, Benton Harbor, MI 49022-2692.

11/04

Guarde este libro y su comprobante de venta juntos para referencia futura. Deberá proporcionar evidencia de la compra o una fecha de instalación para obtener servicio bajo la garantía.

Escriba la siguiente información acerca de su acondicionador de aire para ayudarle mejor a obtener asistencia o servicio técnico si alguna vez llegara a necesitarlo. Deberá tener a mano el número completo del modelo y de la serie.

Nombre del distribuidor _____

Dirección _____

Número de teléfono _____

Número de modelo _____

Número de serie _____

Fecha de compra _____

SÉCURITÉ DU CLIMATISEUR

Votre sécurité et celle des autres est très importante.

Nous donnons de nombreux messages de sécurité importants dans ce manuel et sur votre appareil ménager. Assurez-vous de toujours lire tous les messages de sécurité et de vous y conformer.



Voici le symbole d'alerte de sécurité.

Ce symbole d'alerte de sécurité vous signale les dangers potentiels de décès et de blessures graves à vous et à d'autres.

Tous les messages de sécurité suivront le symbole d'alerte de sécurité et le mot "DANGER" ou "AVERTISSEMENT". Ces mots signifient :

⚠ DANGER

Risque possible de décès ou de blessure grave si vous ne suivez pas immédiatement les instructions.

⚠ AVERTISSEMENT

Risque possible de décès ou de blessure grave si vous ne suivez pas les instructions.

Tous les messages de sécurité vous diront quel est le danger potentiel et vous disent comment réduire le risque de blessure et ce qui peut se produire en cas de non-respect des instructions.

IMPORTANTES INSTRUCTIONS DE SÉCURITÉ

AVERTISSEMENT : Pour réduire les risques d'incendie, de choc électrique ou des blessures lors de l'utilisation du climatiseur, prendre quelques précautions fondamentales, y compris les suivantes :

- Brancher l'appareil sur une prise à 3 alvéoles reliée à la terre.
- Ne pas utiliser un câble de rallonge.
- Ne pas enlever la broche de liaison à la terre.
- Débrancher le climatiseur avant l'entretien.
- Ne pas utiliser un adaptateur.
- Utiliser deux ou plus de personnes pour déplacer et installer le climatiseur.

CONSERVEZ CES INSTRUCTIONS

EXIGENCES D'INSTALLATION

Outils et pièces

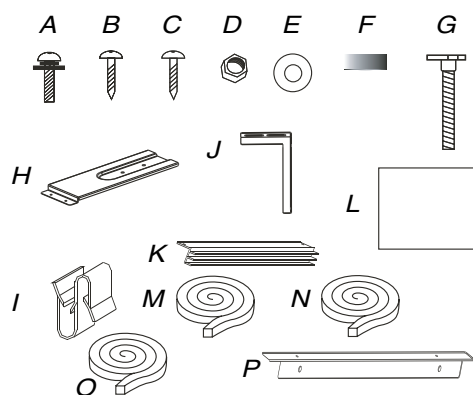
Rassembler les outils et pièces nécessaires avant de commencer l'installation. Lire et suivre les instructions fournies avec les outils indiqués ici.

Outils nécessaires

- Tournevis Phillips et tournevis à lame plate
- Mètre-ruban
- Ciseaux
- Crayon
- Niveau
- Perceuse
- Foret de 1/8"

Pièces fournies

Vérifier que toutes les pièces sont présentes dans le sachet de pièces.



- A. Vis à bois de 1" (2)
- B. Vis autotaraudeuses de 3/8" (4)
- C. Vis à métaux de 7/16" (2)
- D. Écrous de 7/16" (2)
- E. Rondelles plates de 7/16" (2)
- F. Embout
- G. Boulon de réglage de l'aplomb
- H. Plaque de soutien
- I. Agrafes rapides (2)
- J. Équerre de soutien
- K. Glissières (2)
- L. Panneau de remplissage
- M. Joints (2)
- N. Mousse (2)
- O. Joint plus court
- P. Bride de retenue supérieure

Pièces nécessaires

- Pour l'installation dans une fenêtre à battants en métal, il faudra un panneau de remplissage en bois de 3/4" (19 mm) pour une ouverture supérieure à 15 1/2" (39,4 cm). Voir "Installation dans une fenêtre à battants en métal ou en bois".
- Pour l'installation dans une fenêtre à battants en bois, il faudra un cadre en bois de 1" (2,5 cm). Voir "Installation dans une fenêtre à battants en métal ou en bois".

REMARQUE : Les installations sont permanentes. Pour une installation dans un appartement ou un logement à location, les modifications décrites doivent être approuvées par le propriétaire de ces logements avant de procéder aux installations.

Exigences d'emplacement

IMPORTANT : Respecter tous les codes et règlements en vigueur.

Inspecter l'emplacement où le climatiseur sera installé. C'est à l'utilisateur qu'incombe la responsabilité d'assurer une installation correcte. S'assurer d'avoir tout le nécessaire pour une installation correcte.

L'emplacement d'installation doit disposer de :

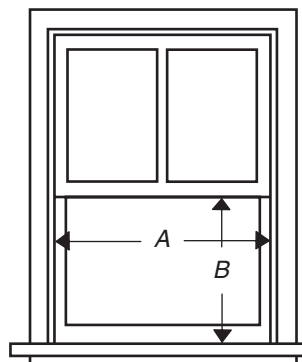
- Une fenêtre coulissante (horizontalement) ou à battants avec une largeur minimum de 15 1/2" (39,4 cm).
- Une prise électrique avec liaison à la terre située à moins de 4 pi (122 cm) de la sortie du cordon d'alimentation du climatiseur.
- **REMARQUE :** Ne pas utiliser de rallonge électrique.
- Une circulation libre de l'air jusqu'aux pièces à refroidir.
- Un cadre de fenêtre et un support mural adéquats pour le poids du climatiseur. Le poids du climatiseur est d'environ 82 lb (37,2 kg) à 100 lb (45 kg).

REMARQUE : Ne pas installer le climatiseur dans un emplacement où le panneau avant serait exposé à des sources de chaleur susceptibles de porter la température superficielle du panneau à plus de 120°F (50°C).

Installation pour fenêtre

Mesures de l'ouverture dans la fenêtre :

- Largeur de l'ouverture : de 15 1/2" (39,4 cm) minimum
- Hauteur de l'ouverture : 22" (55,9 cm) minimum



- A. 15 1/2" (39,4 cm) minimum
- B. 22" (55,9 cm) minimum

Spécifications électriques

⚠️ AVERTISSEMENT



Risque de choc électrique

Brancher sur une prise à 3 alvéoles reliée à la terre.

Ne pas enlever la broche de liaison à la terre.

Ne pas utiliser un adaptateur.

Ne pas utiliser un câble de rallonge.

Le non-respect de ces instructions peut causer un décès, un incendie ou un choc électrique.

Les caractéristiques électriques du climatiseur sont indiquées sur la plaque signalétique. L'étiquette des numéros de modèle et de série est située du côté droit de la caisse.

Les exigences électriques spécifiques sont indiquées dans le tableau ci-dessous. Suivre les recommandations pour ce type de prise électrique sur le cordon d'alimentation.

Cordon électrique

Spécifications du câblage



- 115 volts (103,5 min. - 126,5 max.)
- 0 -12 ampères
- Fusible temporisé 15 ampères ou disjoncteur
- Alimenter le climatiseur uniquement à partir d'un circuit qui n'alimente que cet appareil.

Méthode recommandée de liaison à la terre

Pour votre propre sécurité, ce climatiseur doit être relié à la terre. Ce climatiseur est équipé d'un cordon d'alimentation électrique à trois broches pour la liaison à la terre. Pour minimiser les risques de choc électrique, on doit brancher le cordon sur une prise de courant de configuration correspondante, à 3 alvéoles, reliée à la terre et installée conformément à tous les codes et règlements locaux. Si une prise de courant compatible n'est pas disponible, c'est au client qu'incombe la responsabilité de faire installer une prise de courant à 3 alvéoles convenablement reliée à la terre, par un électricien qualifié.

C'est au client qu'incombe la responsabilité de :

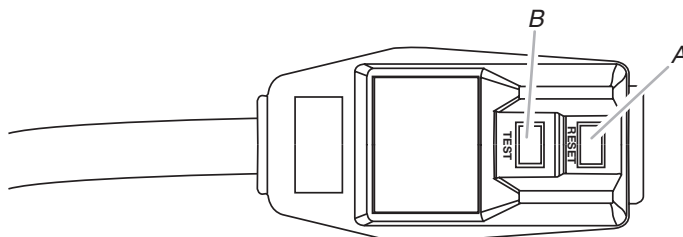
- Contacter un électricien qualifié.
- Veiller à ce que l'installation électrique soit réalisée de façon adéquate et en conformité avec le code national de l'électricité, ANSI/NFPA 70 - dernière édition, et avec tous les codes et règlements locaux en vigueur.

On peut obtenir des exemplaires des normes mentionnées à l'adresse suivante :

National Fire Protection Association
One Batterymarch Park
Quincy, Massachusetts 02269

Cordon d'alimentation

REMARQUE : Votre appareil peut différer de celui qui est illustré.



A. Bouton Reset (réinitialisation)
B. Bouton Test

Ce climatiseur individuel est équipé d'un cordon d'alimentation conforme aux exigences de UL. Ce cordon d'alimentation comporte des circuits électroniques d'avant-garde détectant les courants de fuite. En cas d'écrasement du cordon d'alimentation, les circuits électroniques détectent les courants de fuite et l'alimentation est interrompue en une fraction de seconde.

⚠️ AVERTISSEMENT



Risque de choc électrique

Brancher sur une prise à 3 alvéoles reliée à la terre.

Ne pas enlever la broche de liaison à la terre.

Ne pas utiliser un adaptateur.

Ne pas utiliser un câble de rallonge.

Le non-respect de ces instructions peut causer un décès, un incendie ou un choc électrique.

Pour tester le cordon d'alimentation :

1. Brancher le cordon d'alimentation dans une prise à 3 alvéoles reliée à la terre.
2. Appuyer sur RESET (réinitialisation) (sur certains appareils, un témoin lumineux vert s'allume).
3. Appuyer sur TEST (un déclic se fait entendre, le bouton Reset se déclenche et sur certains appareils, un témoin lumineux vert ressort).
4. Appuyer sur le bouton RESET et le relâcher (un déclic se fait entendre, le bouton Reset s'enclenche et sur certains appareils, un témoin lumineux vert s'allume). Le cordon d'alimentation est prêt à être utilisé.

REMARQUES :

- Le bouton de réinitialisation doit être enfoncé pour un fonctionnement correct.
- Le cordon d'alimentation doit être remplacé en cas d'absence de déclenchement lorsque le bouton de test est enfoncé ou en cas d'échec de la réinitialisation.
- Ne pas utiliser le cordon d'alimentation comme interrupteur marche/arrêt. Le cordon d'alimentation est conçu comme un dispositif de protection.

- Un cordon d'alimentation endommagé doit être remplacé par un cordon neuf acheté auprès du fabricant et ne doit pas être réparé.
- Le cordon d'alimentation ne contient pas de pièces réparables par le client. L'ouverture du casier inviolable annule toute garantie et empêche toute réclamation relative à la performance.

INSTRUCTIONS D'INSTALLATION

Déballage du climatiseur

⚠ AVERTISSEMENT

Risque du poids excessif

Utiliser deux ou plus de personnes pour déplacer et installer le climatiseur.

Le non-respect de cette instruction peut causer une blessure au dos ou d'autre blessure.

Enlever les matériaux d'emballage

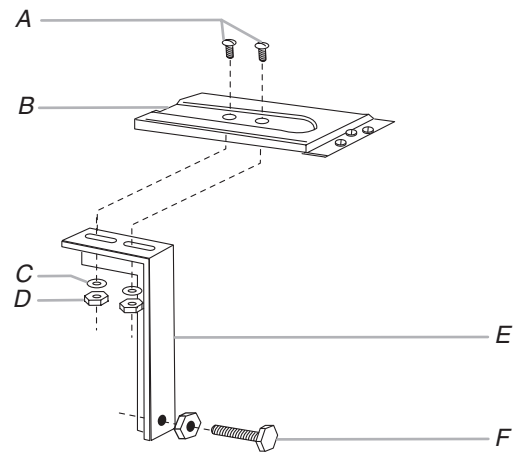
- Enlever et jeter de façon appropriée les matériaux d'emballage. Enlever tout résidu de ruban adhésif et de colle des surfaces avant de mettre le climatiseur en marche. Frotter une petite quantité de savon liquide à vaisselle sur l'adhésif avec les doigts. Rincer à l'eau tiède et sécher.
- Ne pas utiliser d'instruments coupants, d'alcool à friction, de liquides inflammables ou de nettoyants abrasifs pour enlever le ruban adhésif ou la colle. Ces produits peuvent endommager la surface de votre climatiseur.
- Manipuler le climatiseur avec précaution.

Installation dans une fenêtre coulissante en métal ou en bois

- Manipuler le climatiseur avec précaution.
- S'assurer que le climatiseur ne tombe pas de l'ouverture lors de l'installation ou de la dépose.
- Ne pas bloquer les persiennes sur le panneau avant.
- Ne pas bloquer la circulation de l'air à l'extérieur du climatiseur.
- Le cadre de la fenêtre et le côté de la structure doivent pouvoir supporter le poids du climatiseur.

Installation de la plaque de soutien

1. Ouvrir l'un des cadres de la fenêtre et installer la plaque de soutien.
2. Fixer, sans serrer, l'équerre de soutien au bas de la plaque de soutien à l'aide de deux vis à métaux de $\frac{7}{16}$ ", de rondelles plates et d'écrous.



A. Vis à métaux de $\frac{7}{16}$ "

B. Plaque de soutien

C. Rondelle plate

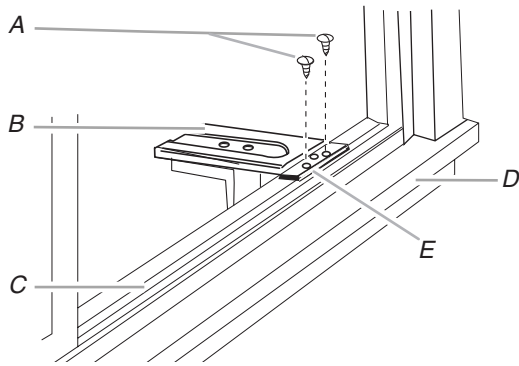
D. Écrou

E. Équerre de soutien

F. Boulon de nivellement et contre-écrou du boulon de nivellement

3. Placer la plaque de soutien contre le rail de fenêtre inférieur et fermement contre le bord vertical du cadre de fenêtre.
4. Attacher la plaque de soutien à l'appui de la fenêtre à l'aide de 2 vis à bois de 1".

Pour empêcher que cette plaque n'empiète sur le rail de la fenêtre coulissante ou la contre-fenêtre, attacher solidement une entretoise à l'appui de fenêtre. La longueur de cette entretoise devrait être égale à la largeur de la plaque de soutien, et son chant devrait être aligné sur la rive arrière de l'appui. L'épaisseur de l'entretoise devrait être en fonction de l'empiètement de la plaque.

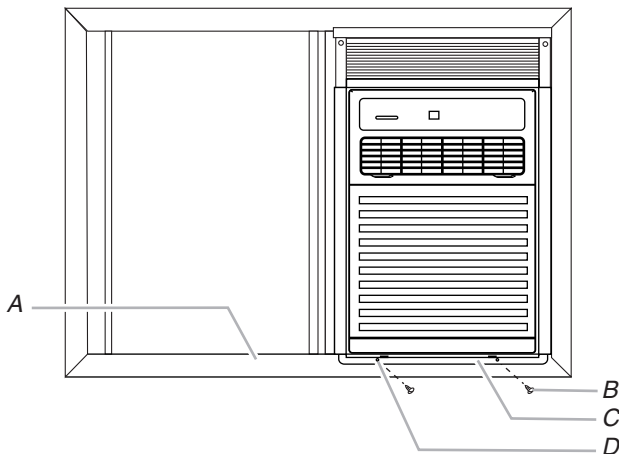


A. Vis à bois de 1"
 B. Plaque de soutien
 C. Rail de fenêtre inférieur
 D. Appui de la fenêtre
 E. Entretoise

5. Tirer l'équerre de soutien contre l'extérieur de la structure. Serrer 2 vis à métaux de $\frac{7}{16}$ " sur le dessus de la plaque de soutien.
6. Régler le boulon de nivellement afin de positionner l'équerre de soutien à niveau. Serrer le contre-écrou du boulon de nivellement.
REMARQUE : Le climatiseur doit être de niveau ou légèrement incliné vers l'arrière pour faciliter l'évacuation des condensats.
7. Couper 2 morceaux de joint à la hauteur de l'ouverture de la fenêtre. Enlever le dos protecteur et appliquer sur les bords du cadre de la fenêtre et du châssis coulissant qui reposera contre l'appareil.

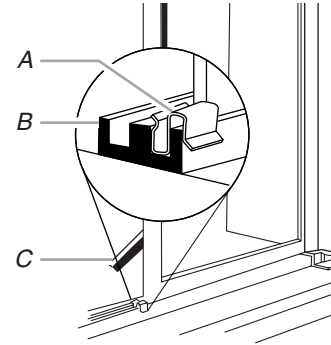
Positionnement du climatiseur dans la fenêtre

1. Faire glisser l'appareil sur la plaque de soutien. S'assurer que la rainure latérale de l'appareil vient s'abouter contre le bord vertical du cadre de la fenêtre.
REMARQUE : Si la rainure latérale du climatiseur ne prend pas prise solidement contre le cadre de la fenêtre, enlever le climatiseur et régler à nouveau le boulon de nivellement.
2. Percer 2 trous de $\frac{1}{8}$ " dans le profilé constituant le cadre de la fenêtre, de manière à ce qu'ils soient alignés sur les trous déjà percés dans la traverse inférieure. Installer 2 vis autotaraudeuses de $\frac{3}{8}$ " dans ces trous.
REMARQUE : Si la hauteur du cadre de fenêtre n'est pas suffisante pour permettre l'utilisation des trous déjà percés, percer 2 nouveaux trous à côté des trous existants pour attacher la traverse inférieure de l'appareil à la plaque de soutien. Le climatiseur doit être fermement fixé au cadre de fenêtre ou à la plaque de soutien.



A. Cadre de rainure de fenêtre
 B. Vis autotaraudeuse de $\frac{3}{8}$ "
 C. Traverse inférieure
 D. Trou percé de $\frac{1}{8}$ "

3. Faire glisser le cadre intérieur de la fenêtre pour la fermer. S'assurer que le bord vertical du cadre intérieur est appuyé fermement contre le côté de la caisse du climatiseur. Couper le joint restant à longueur égale à la largeur de l'ouverture de la fenêtre. Enlever le dos protecteur et appliquer sur le bord intérieur supérieur du cadre de la fenêtre.
4. Poser les pinces rapides sur le bord intérieur supérieur et inférieur de la fenêtre afin de bloquer.
5. Se munir du joint en plastique fourni, le couper à la longueur désirée et l'insérer entre le cadre de fenêtre intérieur et le cadre extérieur.



A. Pinces rapides
 B. Rainure de fenêtre
 C. Joint en plastique

6. Voir "Pour compléter l'installation".

Installation dans une fenêtre à battants en métal ou en bois

- Manipuler le climatiseur avec précaution.
- S'assurer que le climatiseur ne tombe pas de l'ouverture lors de l'installation ou de la dépose.
- Ne pas bloquer les persiennes sur le panneau avant.
- Ne pas bloquer la circulation de l'air à l'extérieur du climatiseur.
- Le cadre de la fenêtre et le côté de la structure doivent pouvoir supporter le poids du climatiseur.

Montage dans une fenêtre à battants en métal

Ce climatiseur peut être inséré dans la plupart des fenêtres à battants. Tel qu'expédié de l'usine, l'appareil rentre dans une ouverture de fenêtre minimale de 15½" (39,4 cm) de largeur et de 22" (55,9 cm) de hauteur. Il est préférable de monter l'appareil à travers une fenêtre fermée ou fixe. Le montage peut également être effectué dans un cadre de fenêtre ouvert si la fenêtre ouverte peut être fixée solidement à l'extérieur du bâtiment ou enlevée complètement.

Fenêtre fermée ou fixe

Poser l'appareil dans un châssis fixe afin d'éviter les poignées de manivelle ou les crémones de fenêtre. Si l'appareil doit être posé dans un châssis ouvrant ou à côté de celui-ci, il peut être nécessaire d'enlever la crémonne, la poignée ou les deux.

- Enlever la poignée de la manivelle et fixer solidement la fenêtre en position fermée. Enlever les carreaux et les meneaux horizontaux jusqu'à une hauteur suffisante pour monter l'appareil.

Cadre de fenêtre ouvert

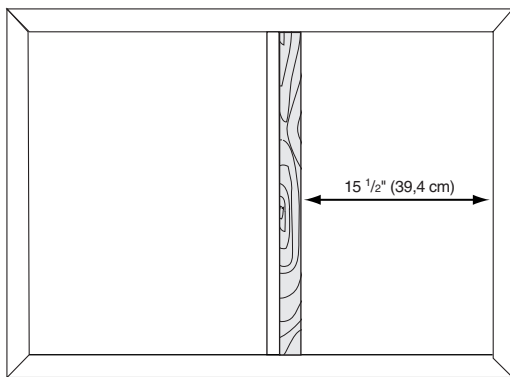
1. Enlever le mécanisme de manivelle et les poignées de crémone.
2. Replier le châssis vers l'arrière contre le mur extérieur du bâtiment et fixer solidement, ou enlever complètement si possible.

Montage dans une fenêtre à battants en bois

1. Construire un cadre, en utilisant au moins 1" (2,5 cm) de bois avec une ouverture de 15 1/2" (39,4 cm) de large.
2. Peindre le cadre et le fixer solidement, en le scellant dans l'ouverture de fenêtre.

Si l'ouverture de la fenêtre est supérieure à 15 1/2" (39,4 cm) :

1. Mesurer 15 1/2" (39,4 cm) du côté de l'ouverture de la fenêtre. À partir de là, mesurer jusqu'à l'autre côté pour trouver la largeur du panneau de remplissage. Mesurer la hauteur de la fenêtre. Couper un panneau de remplissage de 3/4" (19 mm) d'épaisseur de cette largeur et la hauteur totale de l'ouverture de la fenêtre.
2. Fixer solidement sur le côté de l'ouverture.

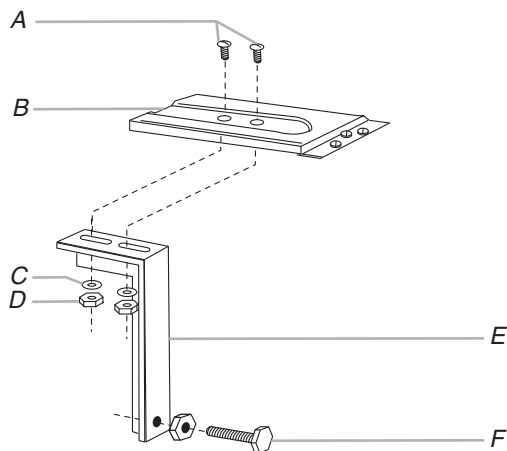


15 1/2" (39,4 cm) du côté de la fenêtre au panneau de remplissage en bois

3. Peindre de la couleur désirée.

Installation de la plaque de soutien

1. Fixer, sans serrer, l'équerre de soutien au bas de la plaque de soutien à l'aide de deux vis à métaux de 7/16", de rondelles plates et d'écrous.

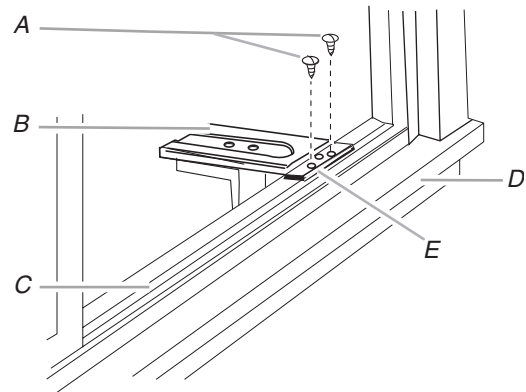


A. Vis à métaux de 7/16"
B. Plaque de fixation
C. Rondelle plate
D. Écrou

E. Équerre de soutien
F. Boulon de nivellement et contre-écrou du boulon de nivellement

2. Placer la plaque de soutien contre le rail de fenêtre inférieur et fermement contre le bord vertical du cadre de fenêtre.
3. Attacher la plaque de soutien à l'appui de la fenêtre à l'aide de 2 vis à bois de 1".

Pour empêcher que cette plaque n'empiète sur le rail de la fenêtre coulissante ou la contre-fenêtre, attacher solidement une entretoise à l'appui de fenêtre. La longueur de cette entretoise devrait être égale à la largeur de la plaque de soutien, et son chant devrait être aligné sur la rive arrière de l'appui. L'épaisseur de l'entretoise devrait être fonction de l'empiètement de la plaque.



A. Vis à bois de 1"
B. Plaque de soutien

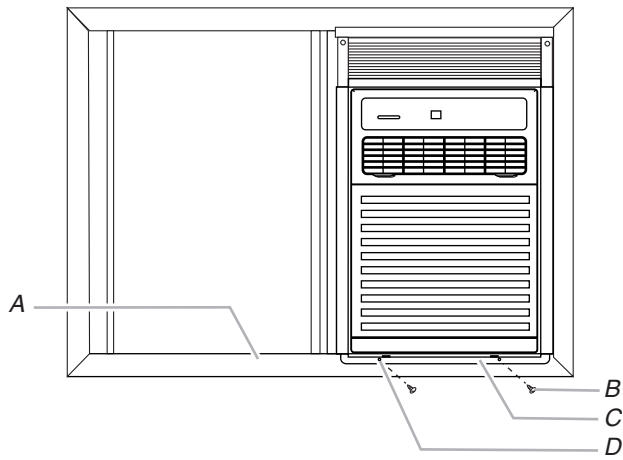
C. Rail de fenêtre inférieur
D. Appui de la fenêtre
E. Entretoise

4. Tirer l'équerre de soutien contre l'extérieur de la structure. Serrer 2 vis à métaux de 7/16" sur le dessus de la plaque de soutien.
5. Régler le boulon de nivellement afin de positionner l'équerre de soutien à niveau. Serrer le contre-écrou du boulon de nivellement.
- REMARQUE :** Le climatiseur doit être de niveau ou légèrement incliné vers l'arrière pour faciliter l'évacuation des condensats.
6. Couper 2 morceaux de joint à la hauteur de l'ouverture de la fenêtre. Enlever le dos protecteur et appliquer sur le cadre de la fenêtre des deux côtés.

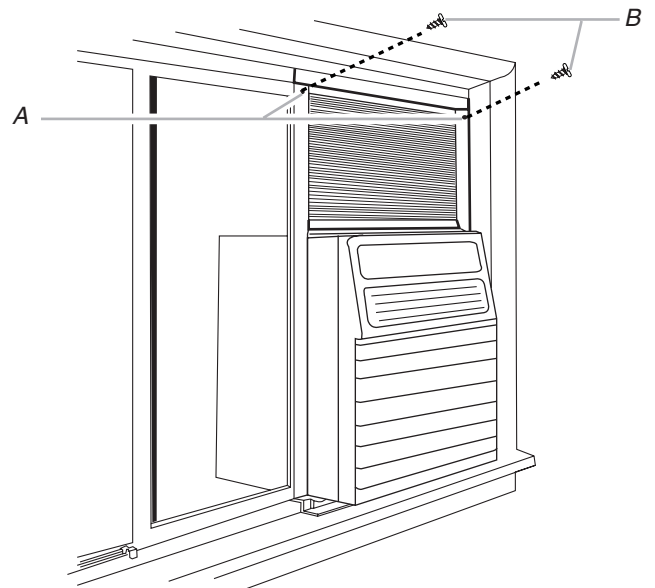
Positionnement du climatiseur dans la fenêtre

1. Faire glisser l'appareil sur la plaque de soutien. S'assurer que la rainure latérale de l'appareil vient s'abouter contre le bord vertical du cadre de la fenêtre.
- REMARQUE :** Si la rainure latérale du climatiseur ne prend pas prise solidement contre le cadre de la fenêtre, enlever le climatiseur et régler à nouveau le boulon de nivellement.
2. Percer 2 trous de 1/8" dans le profilé constituant le cadre de la fenêtre, de manière à ce qu'ils soient alignés sur les trous déjà percés dans la traverse inférieure. Installer 2 vis autotaraudeuses de 3/8" dans ces trous.

REMARQUE : Si la hauteur du cadre de fenêtre n'est pas suffisante pour permettre l'utilisation des trous déjà percés, percer 2 nouveaux trous à côté des trous existants pour attacher la traverse inférieure de l'appareil à la plaque de soutien. Le climatiseur doit être fermement fixé au cadre de fenêtre ou à la plaque de soutien.



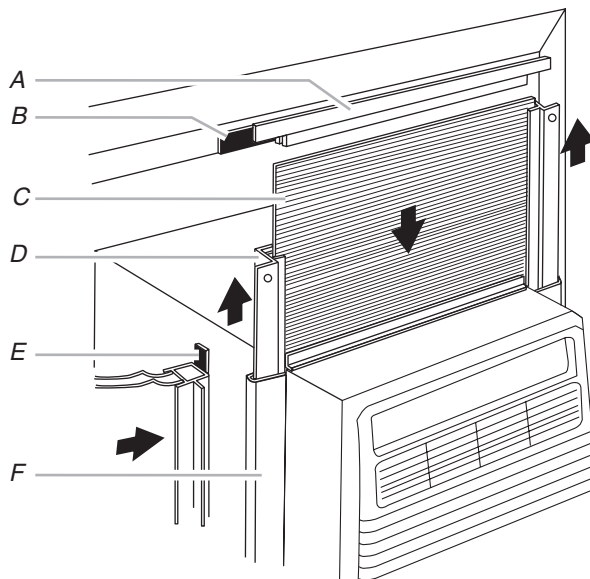
A. Cadre de rainure de fenêtre
B. Vis autotaraudeuse de $\frac{3}{8}$ "
C. Traverse inférieure
D. Trous percés de $\frac{1}{8}$ "



A. Trou percé de $\frac{1}{8}$ "
B. Vis autotaraudeuse de $\frac{3}{8}$ "

Pour compléter l'installation

1. Placer le dispositif de retenue supérieur sur le bord supérieur du panneau de remplissage, puis placer le bord inférieur du panneau de remplissage dans la rainure du dispositif de retenue inférieur (monté sur l'appareil). Le panneau de remplissage peut être dressé au couteau ou aux ciseaux suivant la hauteur de la fenêtre. Faire glisser les glissières vers le haut en s'assurant que le panneau de remplissage est aligné dans les glissières.



A. Dispositif de retenue supérieur
B. Joint sous le dispositif de retenue supérieur
C. Panneau de remplissage
D. Glissière
E. Joint entre le côté de la caisse et le châssis coulissant (installation dans fenêtre coulissante uniquement)
F. Rainure latérale

2. Avec les glissières vers le haut contre le dispositif de retenue supérieur, percer un trou de $\frac{1}{8}$ " dans le cadre de fenêtre en l'alignant avec le trou existant de la glissière. Insérer une vis autotaraudeuse de $\frac{3}{8}$ " dans le trou. Effectuer la même opération pour l'autre glissière.

3. Vérifier tous les joints et colmater toutes les fuites d'air autour de l'appareil. Utiliser du mastic pour boucher toute ouverture mineure.

⚠ AVERTISSEMENT



Risque de choc électrique

Brancher sur une prise à 3 alvéoles reliée à la terre.

Ne pas enlever la broche de liaison à la terre.

Ne pas utiliser un adaptateur.

Ne pas utiliser un câble de rallonge.

Le non-respect de ces instructions peut causer un décès, un incendie ou un choc électrique.

4. Brancher sur une prise à 3 alvéoles reliée à la terre.
5. Appuyer sur RESET (réinitialisation) sur la prise du cordon d'alimentation.

UTILISATION DU CLIMATISEUR

Une bonne utilisation de votre climatiseur vous aidera à obtenir les meilleurs résultats possibles.

Cette section explique le fonctionnement correct du climatiseur.

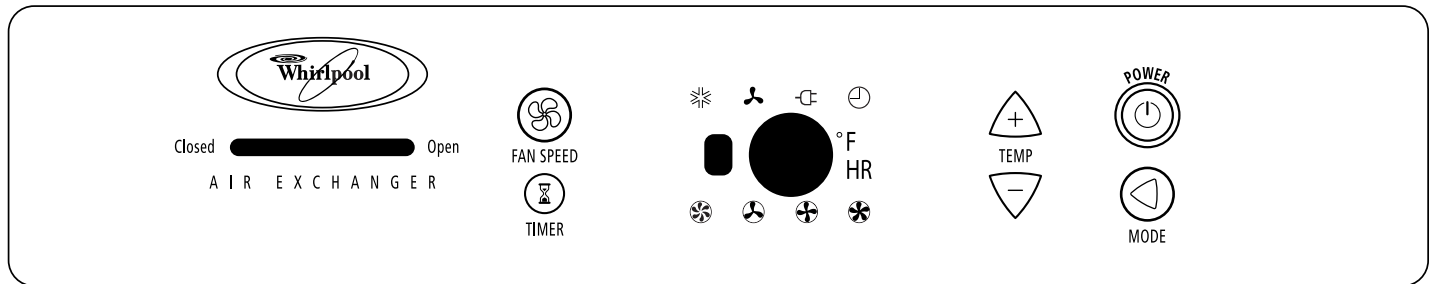
IMPORTANT :

- Si on doit éteindre le climatiseur, attendre au moins 3 minutes avant de le rallumer. Ceci empêche le climatiseur de faire griller un fusible ou de déclencher le disjoncteur.
- Ne pas tenter de faire fonctionner le climatiseur au mode de refroidissement lorsque la température extérieure est inférieure à 66°F (19°C). Le serpentin de l'évaporateur intérieur gèlera et le climatiseur ne fonctionnera pas correctement.

REMARQUES :

- Dans le cas d'une panne de courant, votre climatiseur ne se remettra pas automatiquement en marche.
- Si la commande électronique ne répond pas aux commandes de touche tactile ou de la télécommande, il faut débrancher l'appareil de la prise électrique pendant 5 secondes avant de le rebrancher.

Mise en marche du climatiseur



REMARQUE : Si la température ambiante est inférieure à 55°F (13°C), l'affichage indiquera 55°F (13°C). Si la température ambiante est supérieure à 99°F (37°C), l'affichage indiquera 99°F (37°C).

1. Enlever le film protecteur transparent du tableau de commande et le badge du panneau avant.
2. Régler l'échangeur d'air. Voir "Air Exchanger (échangeur d'air)".
3. Appuyer sur POWER (mise en marche) pour mettre le climatiseur en marche.



REMARQUE : Lorsqu'on met le climatiseur en marche pour la première fois après l'avoir branché, celui-ci affichera les réglages par défaut suivants : mode Cool (refroidissement), vitesse Turbo du ventilateur, 72°F (22°C); lorsqu'on le met en marche à tout autre moment, il affichera les réglages précédents pendant 3 secondes, puis affichera la température ambiante.

4. Choisir le mode. Voir "Mode".
5. Choisir la vitesse du ventilateur. Voir "Fan Speed (vitesse de ventilateur)".
6. Choisir la température. Voir "Température".

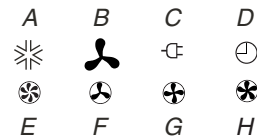
Air Exchanger (échangeur d'air)

Régler la commande de l'échangeur d'air sur CLOSED (fermé) pour un refroidissement continu maximum. L'échangeur d'air réglé sur OPEN (ouvert) fait circuler l'air frais et élimine la fumée et les odeurs de renfermé de la pièce.

- Open—pour évacuer l'air de la pièce à l'extérieur
- Closed—circulation et refroidissement maximum de l'air



Symboles d'affichage



- A. Indicateur lumineux mode Cool (refroidissement)
- B. Indicateur lumineux mode Fan Only (ventilateur seulement)
- C. Indicateur lumineux mode Power Saver (économie d'énergie)
- D. Indicateur lumineux Timer (minuterie)
- E. Indicateur lumineux mode vitesse de ventilateur Auto

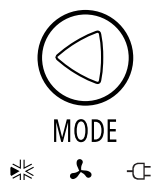
- F. Indicateur lumineux mode vitesse de ventilateur Low (basse)
- G. Indicateur lumineux mode vitesse de ventilateur High (élevée)
- H. Indicateur lumineux mode vitesse de ventilateur Turbo

Mode

1. Appuyer sur MODE jusqu'à l'apparition du témoin lumineux correspondant à la fonction désirée.
2. Choisir Cool (refroidissement), Fan Only (ventilateur seulement) ou Power Saver (économie d'énergie).
 - Cool (refroidissement)— Refroidit la pièce. Appuyer sur FAN SPEED pour choisir la vitesse du ventilateur. Puis ajuster la température en appuyant sur le bouton "+" ou "-".
 - Fan Only (ventilateur seulement)— Seul le ventilateur fonctionne. Il est possible de sélectionner la vitesse du ventilateur en appuyant sur FAN SPEED, mais la commande de la température ne peut être réglée. L'affichage indique la température ambiante actuelle.

- Power Saver (éconergie)—Le ventilateur fonctionne uniquement lorsqu'un refroidissement est nécessaire. Appuyer sur FAN SPEED pour choisir la vitesse du ventilateur.

Puisque le ventilateur ne fait pas circuler l'air continuellement, on utilise moins d'énergie, mais l'air de la pièce n'est pas ventilé aussi souvent. Utiliser le mode éconergie quand vous n'êtes pas à la maison ou lorsque vous dormez.



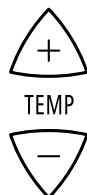
Fan Speed (Vitesse de ventilateur)

1. Appuyer sur FAN SPEED jusqu'à l'apparition du témoin lumineux correspondant à la fonction désirée.
2. Choisir Auto, Low (basse), High (élevée) ou Turbo.
Lorsque Auto est sélectionné, la vitesse du ventilateur changera automatiquement en fonction de la température de la pièce.
 - 7° ou plus au-dessus de la température réglée : Turbo.
 - 4° à 7° au-dessus de la température : High (élevée).
 - 4° ou au-dessous de la température réglée : Low (basse).



Température

Appuyer sur le bouton TEMP "+". L'affichage du climatiseur indique le réglage de la commande de température. Chaque fois que l'on appuie sur le bouton "+", la température augmente de 1° jusqu'à atteindre 88°F (31°C).



Appuyer sur le bouton TEMP "-". L'affichage du climatiseur indique le réglage de la commande de température. Chaque fois que l'on appuie sur le bouton "-", la température diminue de 1° jusqu'à atteindre 66°F (19°C).

Permutation de l'affichage de température °F/°C :

Appuyer sur les deux boutons à la fois pour passer de l'affichage en °F à °C.

Timer (minuterie) différée

Pour régler la minuterie pour un délai de 1 à 24 heures jusqu'à ce que le climatiseur se mette en marche (le climatiseur doit être arrêté) :

1. Appuyer sur TIMER. L'indicateur lumineux restera allumé.



2. Appuyer sur le bouton "+" ou "-" pour changer la durée de délai (1 à 24 heures).
3. Pour arrêter la minuterie, appuyer à nouveau sur TIMER ou appuyer sur POWER pour éteindre le climatiseur.

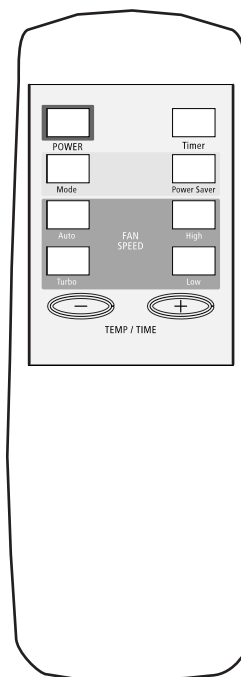
REMARQUE : L'afficheur indique la durée restante jusqu'à ce que l'appareil se mette en marche.

La minuterie peut être réglée pour un délai de 1 à 24 heures jusqu'à l'arrêt de l'appareil (le climatiseur doit être en marche) :

1. Appuyer sur TIMER. L'indicateur lumineux restera allumé.
2. Appuyer sur le bouton "+" ou "-" pour changer la durée de délai (1 à 24 heures). L'afficheur reviendra automatiquement à la température choisie au bout de 12 secondes.
3. Pour afficher le nombre d'heures qui restent avant l'arrêt appuyer sur TIMER une seule fois.
4. Pour arrêter la minuterie, appuyer à nouveau sur la touche TIMER dans un délai de 12 secondes.

Pour faire fonctionner le climatiseur avec la télécommande

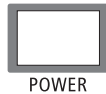
REMARQUE : L'apparence de la télécommande peut varier.



REMARQUE : Deux piles AA (non incluses) alimentent la télécommande. Remplacer les piles après 6 mois d'usage ou lorsque le fonctionnement de la télécommande n'est plus satisfaisant.

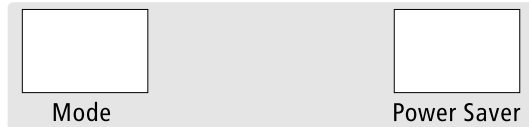
Pour mettre en marche et arrêter le climatiseur :

Appuyer sur POWER.



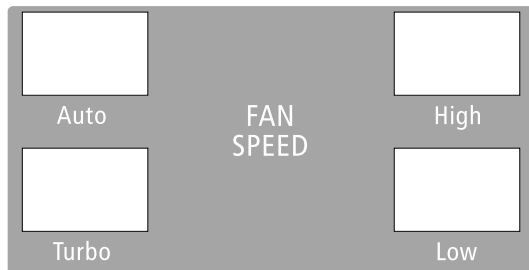
Pour sélectionner le mode ou Power Saver (économie d'énergie) :

1. Appuyer sur MODE pour sélectionner Cool (refroidissement) ou Fan Only (ventilateur seulement).
2. Appuyer sur POWER SAVER (économie d'énergie) pour sélectionner ce mode.
 - Cool, Fan Only ou Power Saver—la vitesse du ventilateur peut être ajustée.



Pour choisir la vitesse du ventilateur (mode Cool, Fan Only ou Power Saver seulement) :

Appuyer sur AUTO, TURBO, HIGH (élevée) ou LOW (basse).



Pour augmenter la température :

Appuyer sur le bouton "+". L'affichage indique le réglage de la commande de température. Chaque fois que l'on appuie sur le bouton "+", la température augmente de 1° jusqu'à atteindre 88°F (31°C).



Pour réduire la température :

Appuyer sur le bouton "-". L'affichage indique le réglage de la commande de température. Chaque fois que l'on appuie sur le bouton "-", la température diminue de 1° jusqu'à atteindre 66°F (19°C).



Pour régler la minuterie pour un délai de 1 à 24 heures jusqu'à ce que le climatiseur se mette en marche (le climatiseur doit être arrêté) :

1. Appuyer sur TIMER. L'indicateur lumineux sur le climatiseur clignotera. L'affichage indiquera le temps restant avant que le climatiseur s'éteigne.



2. Appuyer sur le bouton "+" ou "-" pour changer la durée de délai (1 à 24 heures).
3. Appuyer à nouveau sur TIMER ou attendre 10 secondes. L'indicateur lumineux sur le climatiseur restera allumé. L'affichage indiquera la température ambiante actuelle.

Pour régler la mise en marche différée du climatiseur en gardant les réglages précédents :

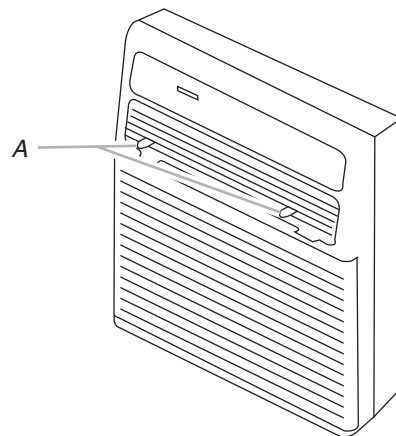
1. Arrêter le climatiseur.
2. Appuyer sur TIMER. L'indicateur lumineux sur le climatiseur clignotera. L'affichage indiquera le temps restant avant que le climatiseur s'éteigne.
3. Appuyer sur le bouton "+" ou "-" pour changer la durée de délai (1 à 24 heures).
4. Appuyer à nouveau sur TIMER ou attendre 10 secondes. L'indicateur lumineux sur le climatiseur restera allumé. L'affichage indiquera la température ambiante actuelle.

Pour régler la mise en marche différée du climatiseur en changeant les réglages précédents :

1. Mettre le climatiseur en marche.
2. Régler le Mode sur Cool, Fan Only ou appuyer sur POWER SAVER.
3. Ajuster la vitesse du ventilateur au mode Auto, Turbo, High (élevée) ou Low (basse).
4. Ajuster la température entre 66°F (19°C) et 88°F (31°C).
5. Attendre 3 secondes avant d'arrêter le climatiseur.
6. Appuyer sur TIMER. L'indicateur lumineux sur le climatiseur clignotera. L'affichage indiquera le temps restant avant que le climatiseur s'allume.
7. Appuyer sur le bouton "+" ou "-" pour changer la durée de délai (1 à 24 heures).
8. Appuyer à nouveau sur TIMER ou attendre 10 secondes. L'indicateur lumineux sur le climatiseur restera allumé. L'affichage indiquera la température ambiante actuelle.

Changement de direction de l'air

Utiliser les leviers pour ajuster les ouvertures et obtenir le débit d'air désiré.



A. Leviers

Sons normaux

Lorsque le climatiseur fonctionne normalement, on peut percevoir certains sons comme :

- Gouttelettes d'eau qui heurtent le condenseur, causant un cliquetis ou un cliquettement. Les gouttelettes d'eau contribuent au refroidissement du condenseur.

- Mouvement de l'air sous l'effet du ventilateur.
- Déclics émis par le thermostat.
- Vibrations ou bruits imputables à une construction médiocre du mur ou de la fenêtre.
- Bourdonnement aigu ou bruits de pulsations causés par le compresseur moderne à haute efficacité qui se met en marche et s'arrête de façon intermittente.

ENTRETIEN DU CLIMATISEUR

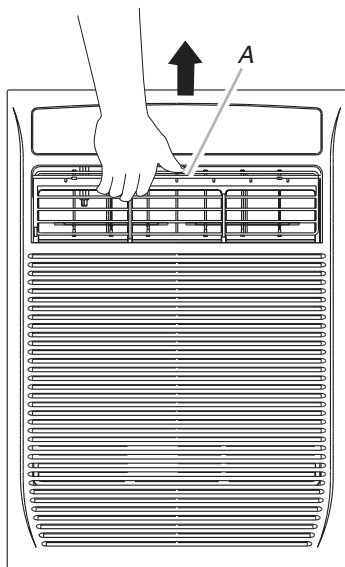
Votre nouveau climatiseur est conçu pour vous fournir de nombreuses années de service fiable. Cette section vous expliquera comment nettoyer et entretenir votre climatiseur correctement. Contacter votre marchand local autorisé pour une vérification annuelle. À noter... le coût de ce service est à votre charge.

Nettoyage du filtre à air

Le filtre à air est amovible pour faciliter le nettoyage. Un filtre à air propre aide à retenir les particules de poussière, la charpie et autres débris en suspension dans l'air et est important pour obtenir le meilleur refroidissement et la meilleure efficacité de fonctionnement. Vérifier le filtre toutes les semaines pour déterminer si un nettoyage est nécessaire.

REMARQUE : Ne pas faire fonctionner le climatiseur sans que le filtre ne soit en place.

1. Arrêter le climatiseur.
2. Enlever le filtre à air en le tirant vers le haut.



A. Filtre à air

3. Laver soigneusement le filtre à air dans de l'eau tiède et un détergent doux. Rincer à l'eau claire, essorer pour sécher, et remettre en place.
4. Remettre en place le filtre à air.

Nettoyage de la grille d'entrée d'air

1. Débrancher le climatiseur ou déconnecter la source de courant électrique.
2. Retirer le couvercle avant en retirant les deux vis latérales.
3. Nettoyer la grille d'entrée d'air avec un chiffon doux humide.
4. Bien faire sécher la grille d'entrée d'air à l'air libre.
5. Réinstaller le couvercle avant sur l'appareil et le fixer avec les deux vis latérales.
6. Brancher le climatiseur ou reconnecter la source de courant électrique.

Remise en état de la peinture

Inspecter l'appareil une ou deux fois par an pour déterminer si la peinture est endommagée. Ceci est très important, particulièrement dans les régions proches de la mer ou lorsque la rouille représente un problème. Le cas échéant, faites des retouches avec une peinture émail de bonne qualité.

DÉPANNAGE

Vous pouvez facilement résoudre facilement de nombreux problèmes courants concernant votre climatiseur et ainsi économiser le coût d'une visite de service. Essayez les suggestions ci-dessous pour déterminer si vous pouvez résoudre votre problème sans aide extérieure.

Le climatiseur ne fonctionne pas

- **Le cordon d'alimentation est débranché.** Brancher sur une prise à 3 alvéoles reliée à la terre. Voir "Spécifications électriques".
- **Le cordon d'alimentation se déclenche (le bouton Reset s'éjecte).** Appuyer sur RESET et relâcher (un déclic se fait entendre, le bouton Reset s'enclenche et reste enfoncé) pour reprendre l'utilisation.
- **Un fusible est grillé ou un disjoncteur s'est déclenché.** Remplacer le fusible ou réarmer le disjoncteur. Voir "Spécifications électriques".
- **Le bouton d'alimentation Power n'a pas été enfoncé.** Appuyer sur POWER.
- **Il y a une panne d'électricité locale.** Attendre le rétablissement du courant.

Le climatiseur fait griller les fusibles ou déclenche les disjoncteurs

- **Trop d'appareils sont branchés sur le même circuit.** Débrancher ou déplacer les appareils qui se trouvent sur le même circuit.
- **Vous utilisez des fusibles temporisés ou un disjoncteur de capacité inappropriée.** Installer un fusible temporisé ou un disjoncteur de capacité correcte. Voir "Spécifications électriques".
- **Vous utilisez un cordon de rallonge.** Ne pas utiliser une rallonge avec cet appareil ou tout autre.
- **Tentative de remise en marche du climatiseur trop tôt après l'arrêt de l'appareil.** Attendre au moins 3 minutes avant de tenter une nouvelle mise en marche.

Le cordon d'alimentation du climatiseur se déclenche (le bouton Reset s'éjecte)

- **Des perturbations au niveau du courant électrique peuvent déclencher (le bouton Reset s'éjecte) le cordon d'alimentation.** Appuyer sur RESET et relâcher (un déclic se fait entendre, le bouton Reset s'enclenche et reste enfoncé) pour reprendre l'utilisation.
- **Une surcharge électrique, une surchauffe, un resserrement ou l'usure peuvent déclencher (le bouton Reset s'éjecte) le cordon d'alimentation.** Après avoir corrigé le problème, appuyer sur RESET et relâcher (un déclic se fait entendre, le bouton Reset s'enclenche et reste enfoncé) pour reprendre l'utilisation.

REMARQUE : Un cordon d'alimentation endommagé ne doit pas être réparé mais remplacé par un neuf que l'on peut se procurer auprès du fabricant du produit.

- **Les fenêtres ou portes sur l'extérieur sont ouvertes.** Fermer toutes les portes et fenêtres.
- **Le mode Air Exchanger est réglé à OUVERT (sur certains modèles).** Régler la commande de l'échangeur d'air à CLOSED (fermé) pour un refroidissement ou un chauffage maximum.

Le climatiseur semble se mettre en marche trop fréquemment

- **Ce climatiseur remplace un modèle ancien.** Du fait de l'utilisation de composants plus efficaces, il est possible que le climatiseur fonctionne pendant de plus longues périodes que l'ancien modèle, mais la consommation totale d'énergie sera moindre. Les nouveaux climatiseurs ne projettent pas un puissant jet d'air froid comme les anciens modèles, mais ceci n'indique pas une réduction de la capacité de refroidissement ou de l'efficacité. Se référer à l'indice d'efficacité (EER) et à l'indice de capacité (en BTU/h) indiqués sur le climatiseur.
- **Le climatiseur est installé dans une pièce chargée ou dans laquelle des appareils générateurs de chaleur sont installés.** Utiliser des ventilateurs d'évacuation d'air pendant les opérations de cuisson ou les bains, et essayer de ne pas utiliser ces appareils pendant les périodes les plus chaudes de la journée. Il est peut être nécessaire de choisir un climatiseur de plus grande capacité, selon la taille de la pièce à refroidir.

Le climatiseur s'allume et s'éteint trop fréquemment ou ne refroidit pas

- **Le mode Power Saver (économie d'énergie) a été sélectionné.** Utiliser la fonction d'économie d'énergie seulement pour une période d'absence ou durant la nuit. Pour optimiser le confort, sélectionner les réglages Cool et une vitesse de ventilateur supérieure.
- **La taille du climatiseur n'est pas appropriée à la pièce.** Vérifier la capacité de refroidissement du climatiseur de la pièce. Les climatiseurs pour une seule pièce ne sont pas conçus pour refroidir plusieurs pièces.
- **Le filtre est sale ou obstrué par des débris.** Nettoyer le filtre.
- **Il y a une quantité excessive de chaleur ou d'humidité (cuisson dans des récipients sans couvercle, douches, etc.) dans la pièce.** Utiliser un ventilateur pour évacuer la chaleur ou l'humidité de la pièce. Essayer de ne pas utiliser des appareils générateurs de chaleur pendant les périodes les plus chaudes de la journée.
- **Les persiennes sont obstruées.** Installer le climatiseur dans un endroit où les persiennes ne sont pas obstruées par des rideaux, stores, meubles, etc.
- **La température extérieure est inférieure à 66°F (19°C).** Ne pas essayer de faire fonctionner le climatiseur au mode de refroidissement lorsque la température extérieure est inférieure à 66°F (19°C).
- **La température de la pièce à refroidir est extrêmement élevée.** Laisser le climatiseur fonctionner pendant une plus longue période de temps pour refroidir une pièce très chaude.
- **La commande de température n'est pas positionnée sur un réglage suffisamment froid.** Ajuster la commande de température sur un réglage plus froid. Appuyer sur la touche TEMP "-" pour réduire la température de 1° jusqu'à ce qu'elle atteigne 66°F (19°C). Régler la commande Fan Speed sur Turbo.

Fuite d'eau provenant de la caisse dans la maison

- **Le climatiseur n'est pas de niveau.** Le climatiseur doit être légèrement incliné vers le bas et vers l'extérieur. Mettre le climatiseur de niveau de façon à ce qu'il soit incliné vers le bas et vers l'extérieur pour assurer un écoulement correct. Voir les Instructions d'installation.

REMARQUE : Ne pas percer un trou sur le fond de la base métallique ou dans le bac de condensation.

L'appareil produit un refroidissement, mais la température dans la pièce demeure trop élevée—

formation de glace sur l'échangeur de chaleur, derrière le panneau de façade décoratif

- **La température extérieure est inférieure à 66°F (19°C).** Ne pas essayer de faire fonctionner le climatiseur au mode de refroidissement lorsque la température extérieure est inférieure à 66°F (19°C).
 - **Le filtre est sale ou obstrué par des débris.** Nettoyer le filtre.
-

ASSISTANCE OU SERVICE

Avant de faire un appel pour assistance ou service, consulter la section "Dépannage". Ce guide peut vous faire économiser le coût d'une visite de service. Si vous avez encore besoin d'aide, suivre les instructions ci-dessous.

Lors d'un appel, veuillez connaître la date d'achat, le numéro de modèle et le numéro de série au complet de l'appareil. Ces renseignements nous aideront à mieux répondre à votre demande.

Si vous avez besoin de pièces de rechange

Si vous avez besoin de commander des pièces de rechange, nous vous recommandons d'employer uniquement des pièces de rechange FSP®. Les pièces de rechange FSP® conviendront et fonctionneront bien parce qu'elles sont fabriquées avec la même précision utilisée dans la fabrication de chaque nouvel appareil WHIRLPOOL®.

Pour obtenir des pièces de rechange FSP® dans votre région, composer le numéro de téléphone de notre Centre d'interaction avec la clientèle ou du centre de service désigné le plus proche de Whirlpool.

Au Canada

Pour des questions relatives aux produits, veuillez appeler sans frais le Centre d'interaction avec la clientèle de Whirlpool Canada LP au : **1-800-461-5681**.

Lundi à vendredi 8 h - 18 h (HNE).

Samedi 8 h 30 - 16 h 30 (HNE).

Nos consultants vous renseigneront sur les sujets suivants :

- Caractéristiques et spécifications sur toute notre gamme d'appareils électroménagers.
- Références aux marchands locaux.

Pour pièces, accessoires et service au Canada

Composer le **1-800-807-6777**. Les techniciens de service désignés par Whirlpool Canada LP sont formés pour remplir la garantie des produits et fournir un service après la garantie, partout au Canada.

Pour plus d'assistance

Si vous avez besoin de plus d'assistance, vous pouvez soumettre par écrit toute question ou préoccupation à Whirlpool Canada LP à l'adresse suivante :

Centre d'interaction avec la clientèle
Whirlpool Canada LP
1901 Minnesota Court
Mississauga, Ontario L5N 3A7

Veuillez inclure dans votre correspondance un numéro de téléphone où on peut vous joindre dans la journée.

GARANTIE DU CLIMATISEUR WHIRLPOOL®

GARANTIE COMPLÈTE DE UN AN

Pendant un an à partir de la date d'achat, si ce climatiseur est défaillant lorsqu'il est utilisé et entretenu conformément aux instructions jointes à ou fournies avec le produit, Whirlpool Corporation ou Whirlpool Canada LP paiera pour les pièces de rechange et les frais de main-d'oeuvre de réparation pour rectifier les vices de matériaux ou de fabrication. Les réparations doivent être effectuées par un établissement de service désigné par Whirlpool.

GARANTIE COMPLÈTE DE LA DEUXIÈME À LA CINQUIÈME ANNÉE INCLUSIVEMENT SUR LE SYSTÈME DE RÉFRIGÉRATION SCÉLLÉ

De la deuxième à la cinquième année inclusivement à partir de la date d'achat, lorsque le climatiseur est utilisé et entretenu conformément aux instructions jointes à ou fournies avec le produit, Whirlpool Corporation ou Whirlpool Canada LP paiera pour les pièces de rechange et la main-d'oeuvre de réparation pour rectifier les vices de matériaux ou de fabrication du le système de réfrigération scellé. Il s'agit des pièces suivantes : compresseur, évaporateur, condensateur, sècheuse-filtre et tube de raccord. Les réparations doivent être effectuées par un établissement de service désigné par Whirlpool.

Whirlpool Corporation ou Whirlpool Canada LP ne paiera pas pour :

1. Visite de service pour rectifier l'installation de votre climatiseur, donner des instructions concernant l'utilisation de votre climatiseur, remplacer des fusibles, rectifier le câblage, réenclencher les disjoncteurs ou nettoyer ou remplacer les filtres à air accessibles au propriétaire.
2. Les réparations lorsque votre climatiseur est utilisé autrement qu'en utilisation domestique normale, unifamiliale.
3. Les dommages causés par : accident, altération, mésusage, abus, incendie, inondation, actes de Dieu, installation incorrecte non conforme aux codes locaux d'électricité et de plomberie, ou utilisation de produits non approuvés par Whirlpool Corporation ou Whirlpool Canada LP.
4. Les frais de pièces de rechange et de main-d'oeuvre de réparation pour les appareils utilisés en dehors des États-Unis ou du Canada.
5. Le ramassage et la livraison. Votre climatiseur est conçu pour être réparé à domicile.
6. Le déménagement ou la réinstallation de votre climatiseur si celui-ci est installé en hauteur ou dans un autre endroit inaccessible ou n'est pas installé conformément aux instructions d'installation publiées.
7. Les réparations aux pièces ou systèmes résultant d'une modification non autorisée faite à l'appareil.
8. Au Canada, les frais de voyage ou de transport pour les clients qui habitent dans des régions éloignées.

WHIRLPOOL CORPORATION OU WHIRLPOOL CANADA LP N'ASSUME AUCUNE RESPONSABILITÉ POUR LES DOMMAGES FORTUITS OU INDIRECTS.

Certains États et certaines provinces ne permettent pas l'exclusion ou la limitation des dommages fortuits ou indirects de sorte que cette exclusion ou limitation peut ne pas être applicable dans votre cas. Cette garantie vous confère des droits juridiques spécifiques et vous pouvez également jouir d'autres droits qui peuvent varier d'un État à un autre ou d'une province à une autre.

À l'extérieur des 50 États des États-Unis ou du Canada, cette garantie ne s'applique pas. Contacter votre marchand Whirlpool autorisé pour déterminer si une autre garantie s'applique.

Si vous avez besoin de service, consulter d'abord la section "Dépannage". On peut trouver de l'aide supplémentaire à la section "Assistance ou Service" ou en téléphonant à notre Centre pour l'eXpérience de la clientèle au **1-800-253-1301**, de n'importe où aux É.-U. ou en écrivant à : Whirlpool Corporation, Customer eXperience Center, 553 Benson Road, Benton Harbor, MI 49022-2692. Au Canada, appeler le **1-800-807-6777**.

Pour service au Canada, téléphoner au **1-800-807-6777**. Les techniciens de service désignés par Whirlpool Canada LP sont formés pour remplir la garantie des produits et fournir un service après la garantie partout au Canada. Si vous avez besoin de plus d'assistance, vous pouvez soumettre par écrit toute question ou préoccupation à Whirlpool Canada LP à l'adresse suivante : Centre d'interaction avec la clientèle, Whirlpool Canada LP, 1901 Minnesota Court, Mississauga, Ontario L5N 3A7. Veuillez inclure dans votre correspondance un numéro de téléphone où on peut vous joindre dans la journée.

11/04

Conservez cette garantie et votre reçu de vente ensemble pour référence ultérieure. Pour le service sous garantie, vous devez présenter un document prouvant la date d'achat ou d'installation.

Inscrivez les renseignements suivants au sujet de votre climatiseur pour mieux vous aider à obtenir assistance ou service en cas de besoin. Vous devrez connaître le numéro de modèle et le numéro de série au complet.

Nom du marchand _____

Adresse _____

Numéro de téléphone _____

Numéro de modèle _____

Numéro de série _____

Date d'achat _____

1188176

© 2004 Whirlpool Corporation.
All rights reserved.
Todos los derechos reservados.
Tous droits réservés.

® Registered Trademark/TM Trademark of Whirlpool, U.S.A., Whirlpool Canada LP Licensee in Canada
® Marca registrada/TM Marca de comercio de Whirlpool, EE.UU., usada bajo licencia de Whirlpool Canada LP en Canadá
® Marque déposée/TM Marque de commerce de Whirlpool, U.S.A., emploi licencié par Whirlpool Canada LP au Canada



11/04
Printed in P.R.C.
Impreso en R.P.C.
Imprimé en R.P.C.